

SR841 (B706)

This parts catalog includes MB No. 1 to 9

SR841 (B706)

PARTS CATALOG

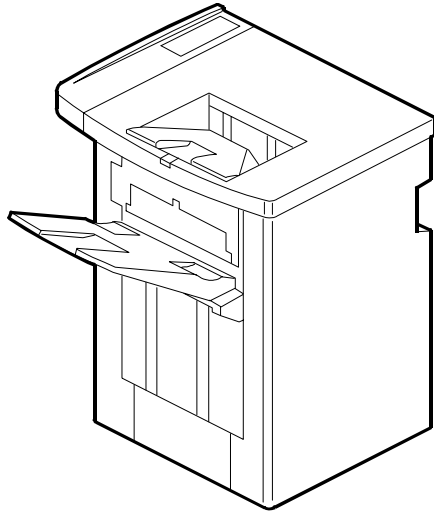
This catalog gives the numbers and names of parts on this machine.

LOCATION OF UNIT	2	17.PAPER EXIT SECTION 4 (B706).....	38
1.EXTERIOR (B706)	6	18.DRIVE SECTION (B706).....	40
2.STAPLE TRAY 1 (B706)	8	19.ELECTRICAL SECTION (B706).....	42
3.STAPLE TRAY 2 (B706)	10	20.FRAME SECTION 1 (B706)	44
4.STAPLE TRAY 3 (B706)	12	21.FRAME SECTION 2 (B706)	46
5.STAPLE TRAY 4 (B706)	14	22.DECAL AND DOCUMENT (B706)	48
6.STAPLE TRAY 5 (B706)	16	PARTS INDEX.....	51
7.STAPLER UNIT (B706).....	18		
8.STAPLE TRANSPORT 1 (B706)	20		
9.STAPLE TRANSPORT 2 (B706)	22		
10.STAPLE TRANSPORT 3 (B706)	24		
11.STAPLE TRANSPORT 4 (B706)	26		
12.TRANSPORT SECTION 1 (B706)	28		
13.TRANSPORT SECTION 2 (B706)	30		
14.PAPER EXIT SECTION 1 (B706)	32		
15.PAPER EXIT SECTION 2 (B706)	34		
16.PAPER EXIT SECTION 3 (B706)	36		

April ,8 ' 2005

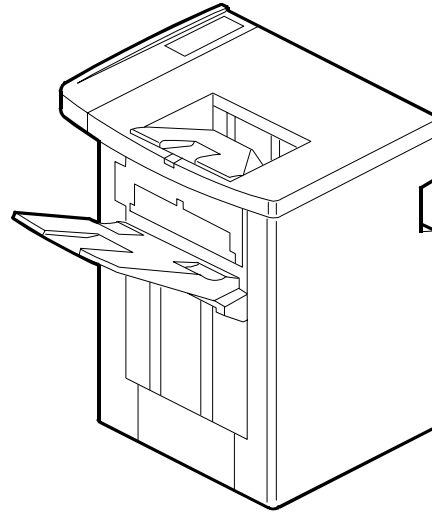
LOCATIONS OF UNITS

1. EXTERIOR (B706)



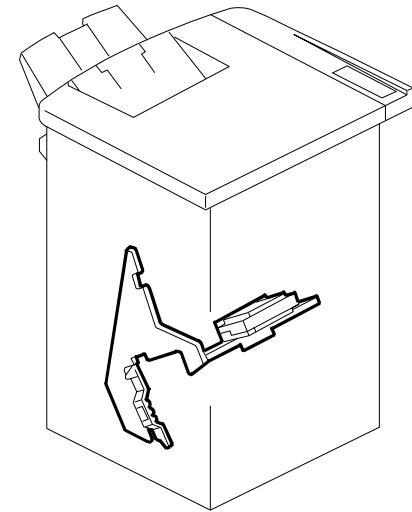
See Page 7

2. STAPLE TRAY 1 (B706)



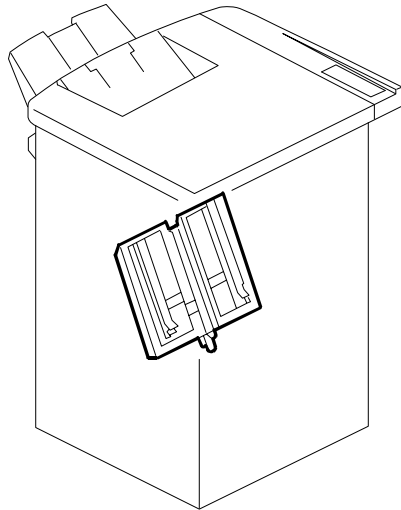
See Page 9

3. STAPLE TRAY 2 (B706)



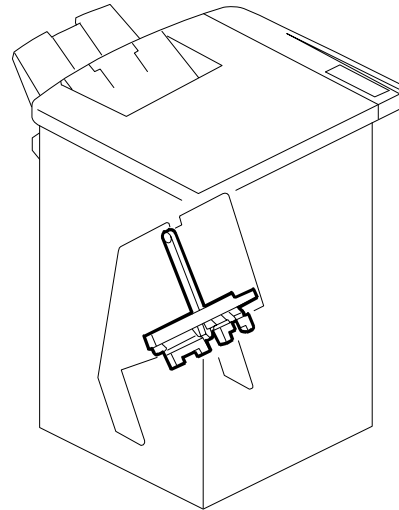
See Page 11

4. STAPLE TRAY 3 (B706)



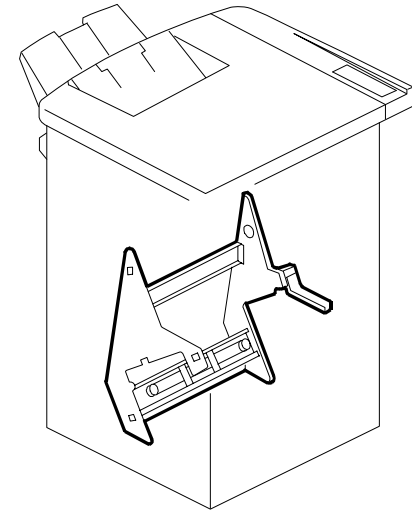
See Page 13

5. STAPLE TRAY 4 (B706)



See Page 15

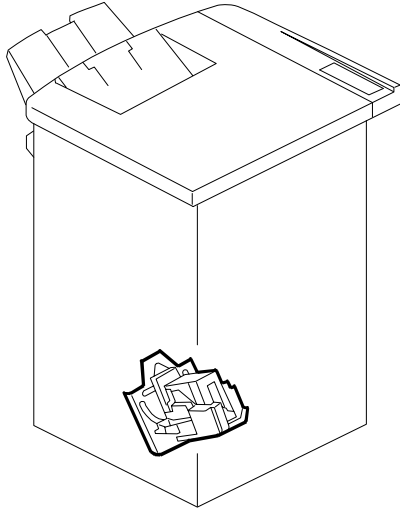
6. STAPLE TRAY 5 (B706)



See Page 17

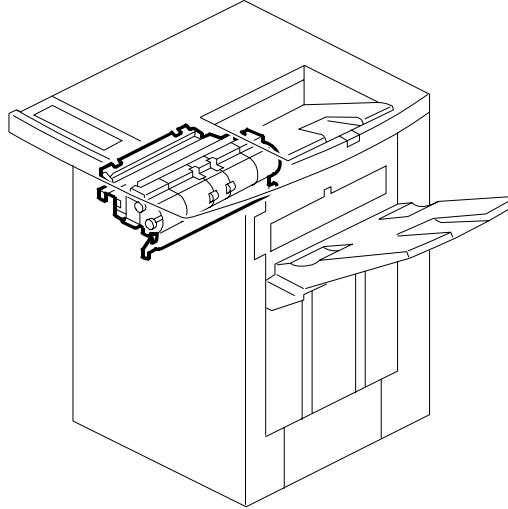
LOCATIONS OF UNITS

7. STAPLER UNIT (B706)



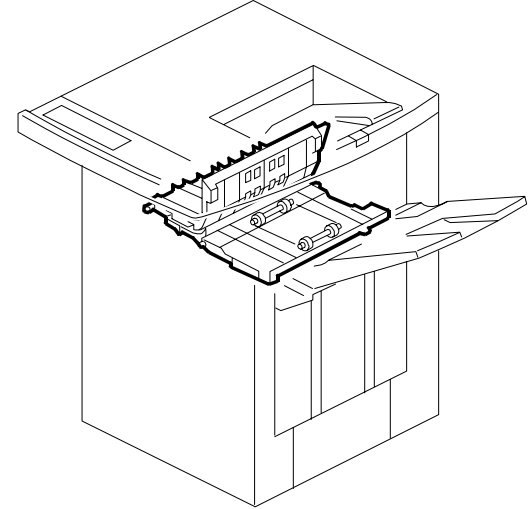
See Page 19

8. STAPLE TRANSPORT 1 (B706)



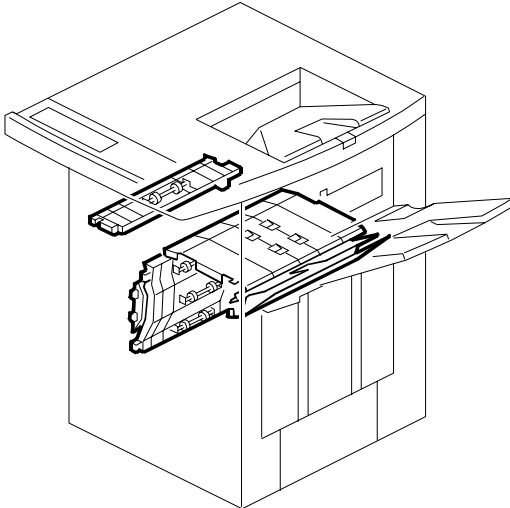
See Page 21

9. STAPLE TRANSPORT 2 (B706)



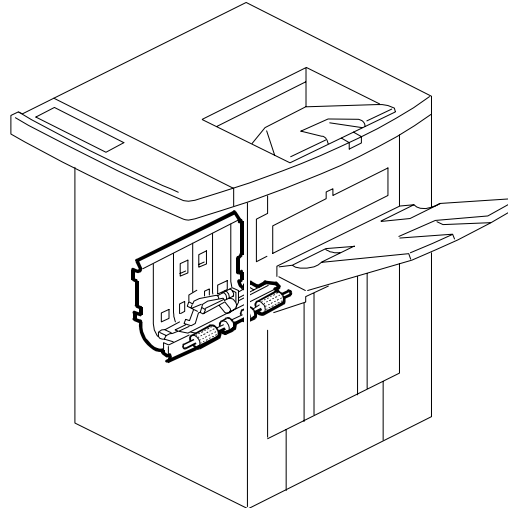
See Page 23

10. STAPLE TRANSPORT 3 (B706)



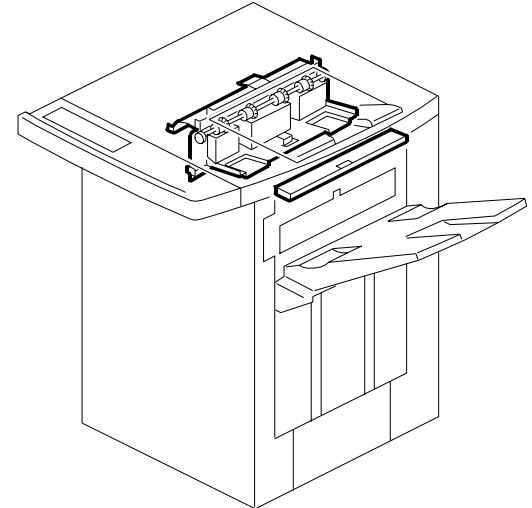
See Page 25

11. STAPLE TRANSPORT 4 (B706)



See Page 27

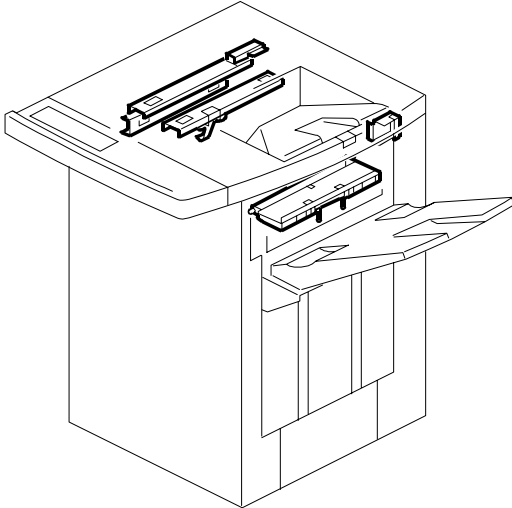
12. TRANSPORT SECTION 1 (B706)



See Page 29

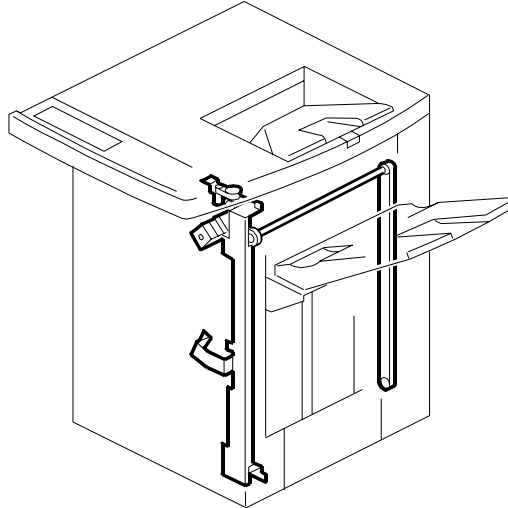
LOCATIONS OF UNITS

13. TRANSPORT SECTION 2 (B706)



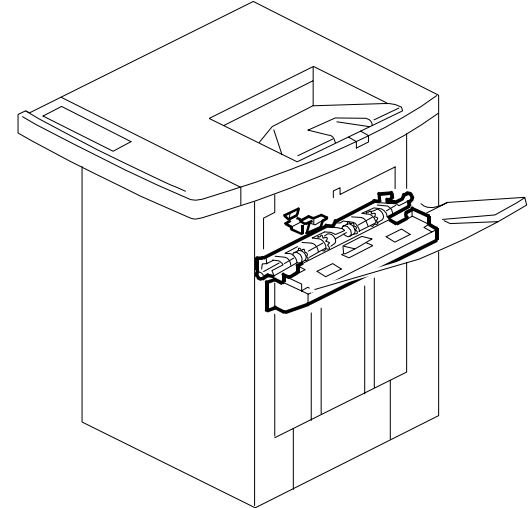
See Page 31

14. PAPER EXIT SECTION 1 (B706)



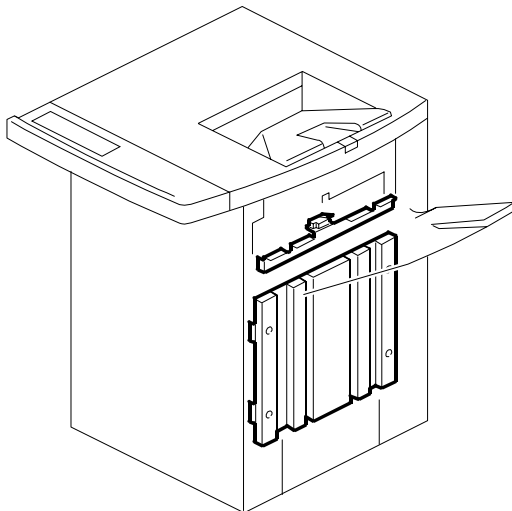
See Page 33

15. PAPER EXIT SECTION 2 (B706)



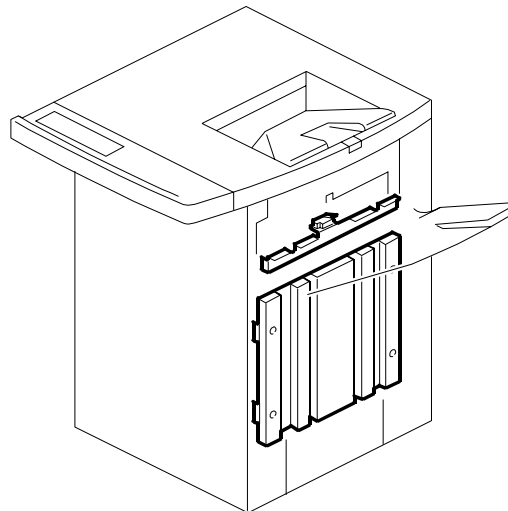
See Page 35

16. PAPER EXIT SECTION 3 (B706)



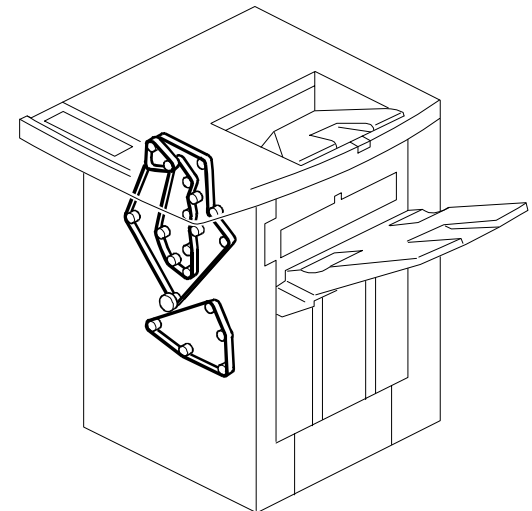
See Page 37

17. PAPER EXIT SECTION 4 (B706)



See Page 39

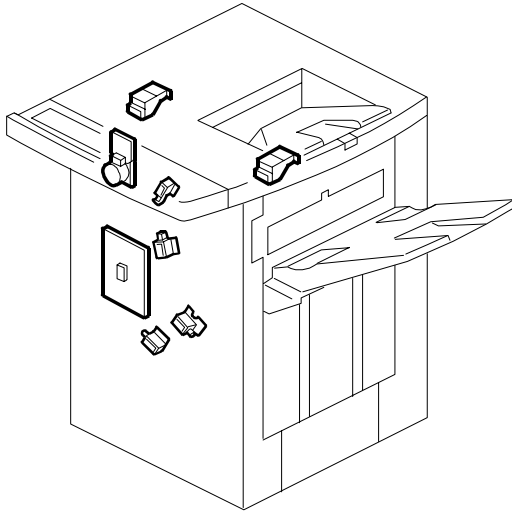
18. DRIVE SECTION (B706)



See Page 41

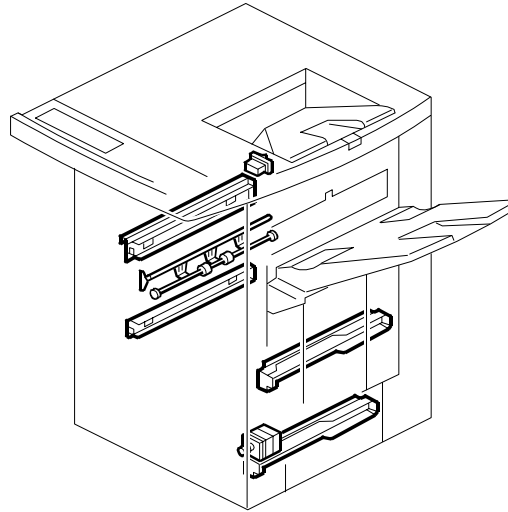
LOCATIONS OF UNITS

19. ELECTRICAL SECTION (B706)



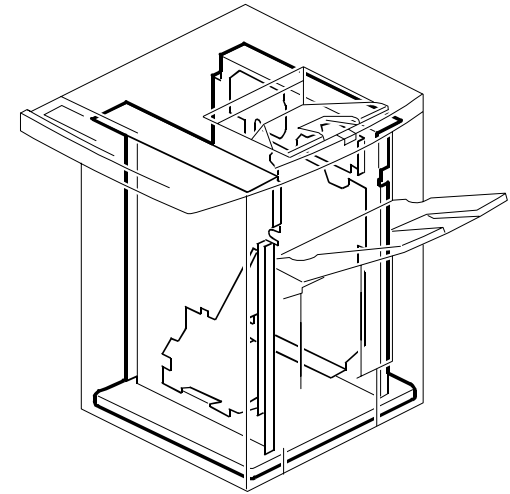
See Page 43

20. FRAME SECTION 1 (B706)



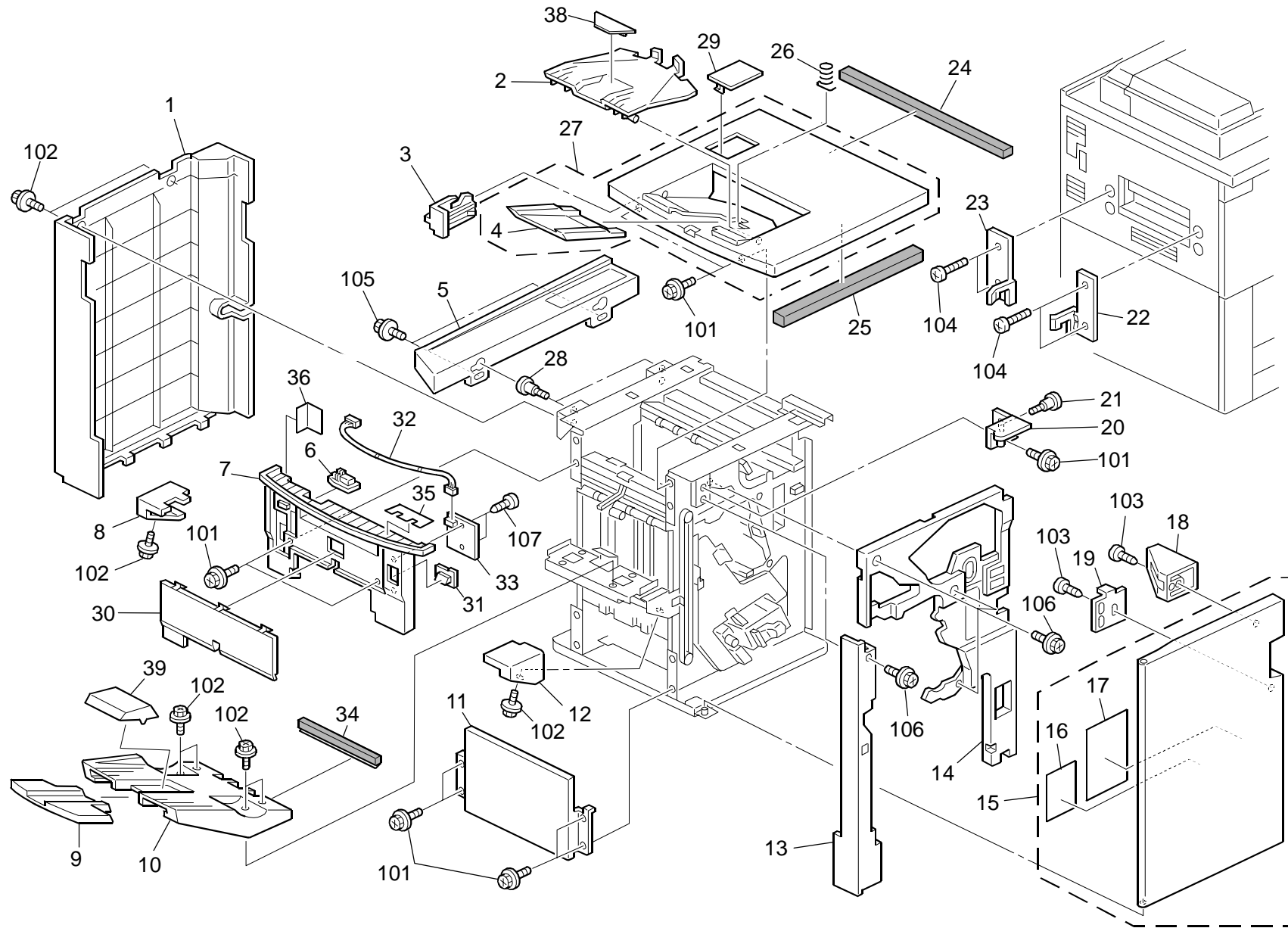
See Page 45

21. FRAME SECTION 2 (B706)

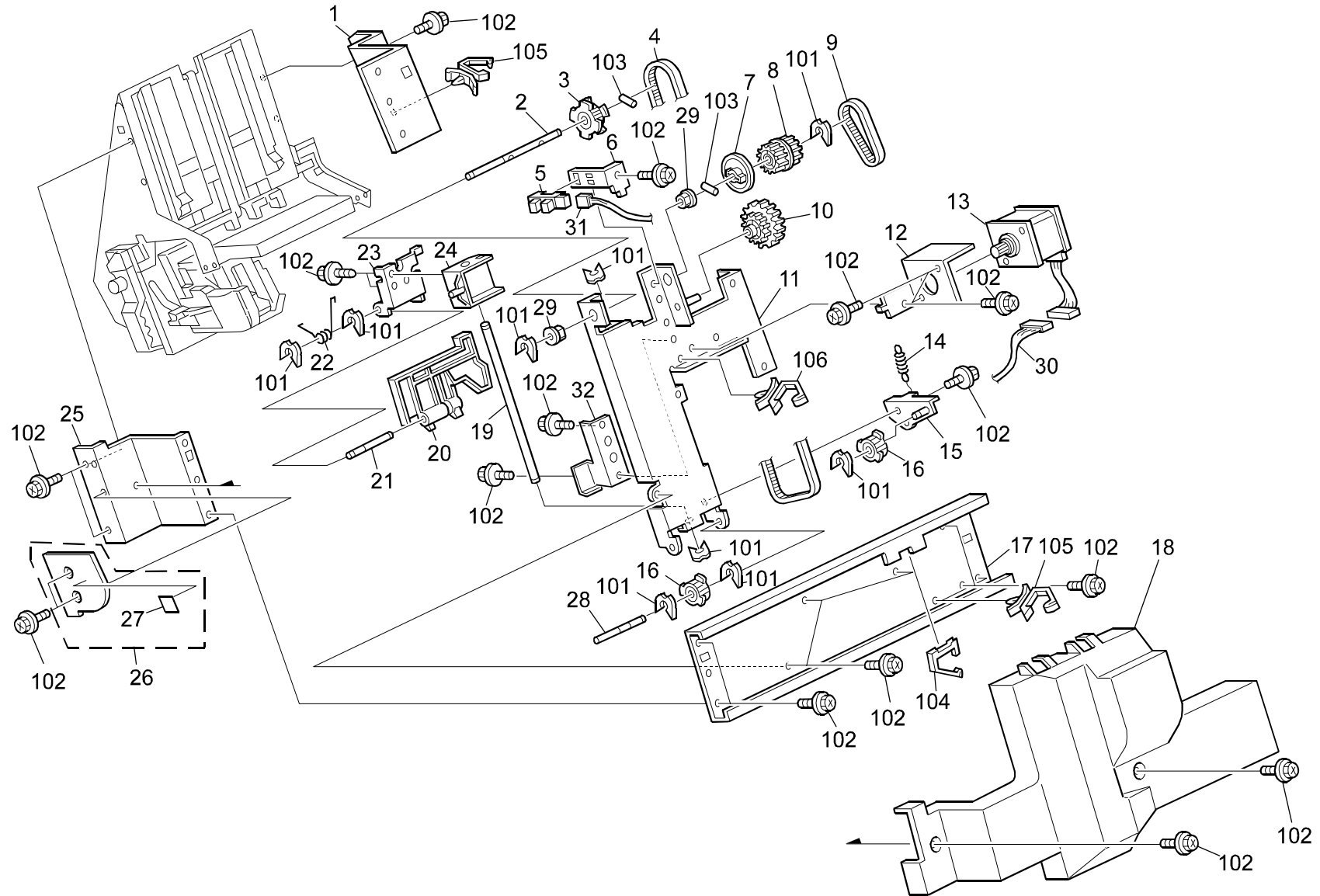


See Page 47

1.EXTERIOR (B706)



2.STAPLE TRAY 1 (B706)

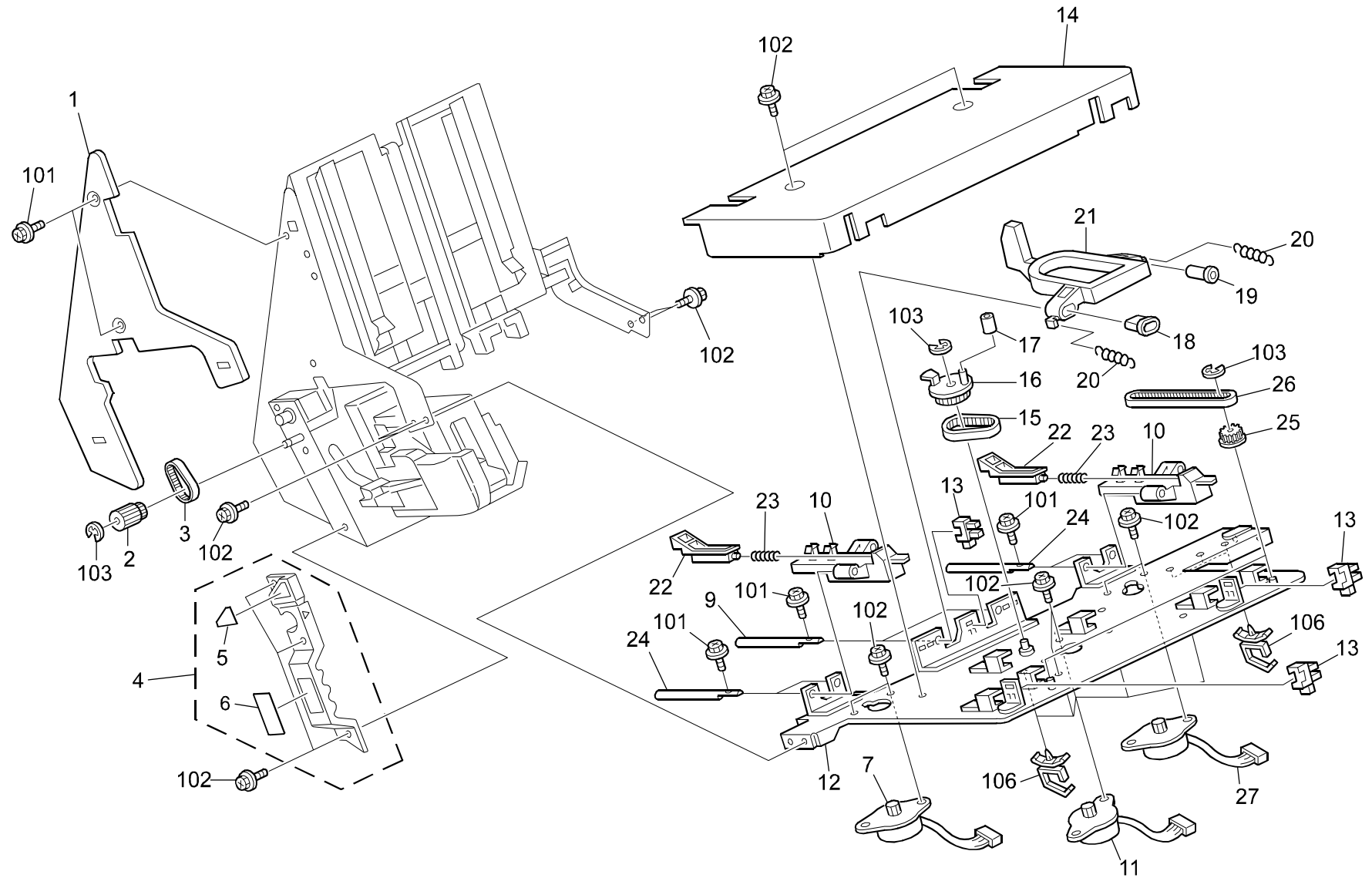


2.STAPLE TRAY 1 (B706)

Index No.	Part No.	Description	Q'ty Per Assembly
1	B706 4842	Bracket:Rear	1
2	B674 4523	Shaft - Upper Transport Pawl Pulley	1
3	B674 4527	Pulley - 48T	1
4	B674 4521	Timing Belt - B40S2M500	1
5	AW02 0086	Photointerruptor	1
6	B674 4525	Pawl Stopper Sensor Bracket	1
7	B674 4531	Gear - 30Z	1
8	B674 4529	Pulley - 20/36T	1
9	B674 4520	Timing Belt - B40S2M178	1
10	B674 4530	Gear - 20/30Z	1
11	B674 4510	Stopper Pawl Base Ass'y	1
12	B706 4619	Bracket:Motor:Pawl:Stopper	1
	B674 4619	x/o MB2	
13	B312 4140	Stepping Motor - DC 16.1W	1
14	B674 4536	Tension Spring	1
15	B674 4620	Pawl Stopper Belt Tensioner Ass'y	1
16	B674 4528	Pulley - 15T	2
17	B706 4841	Stay:Pawl:Stopper	1
18	B706 4851	Inner Cover:Pawl:Stopper	1
19	B674 4522	Pawl Stopper Guide Shaft	1
20	B706 4831	Pawl:Stopper	1
21	B674 4615	Shaft - Pawl Stopper	1
22	B674 4618	Pawl Stopper Torsion Spring	1
23	B674 4617	Pawl Stopper Bracket	1
24	B674 4613	Pawl Stopper Holder	1
25	B706 4843	Bracket:Front	1
26	B706 7007	Grip:Stuni:Ass'y	1
28	B674 4524	Shaft - Lower Transport Pawl Pulley	1
29	5053 0447	Bushing - 6mm	2
30	B706 5720	Harness:Motor:Connecting	1
31	B706 5710	Harness:Home Position Sensor:Connecting	1
32	B706 4526	Bracket:Pawl:Stopper	1
	B674 4526	x/o MB1	
33	B674 4614	Pawl Stopper Guide Roller	1

Index No.	Part No.	Description	Q'ty Per Assembly
101	0805 0089	Retaining Ring - M4	
102	0802 5276	Tapping Screw With Washer - M3x6	
103	0632 0100G	Pin - 2x10mm	
104	1105 0522	Edge Saddle - LES0510	
105	1105 0516	Clamp	
106	1105 0511	Harness Clamp - LWS-0306ZC	

3.STAPLE TRAY 2 (B706)

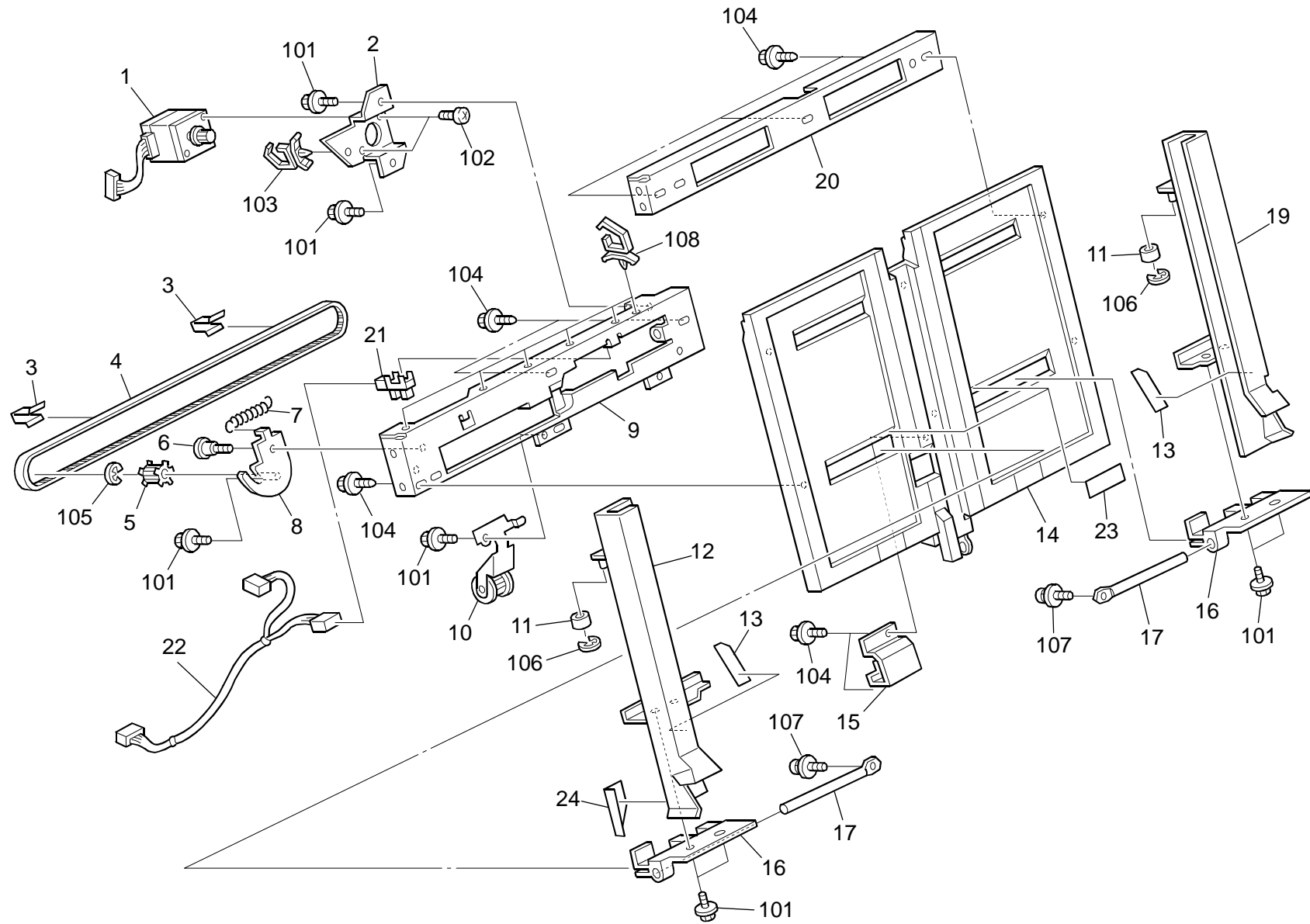


3.STAPLE TRAY 2 (B706)

Index No.	Part No.	Description	Q'ty Per Assembly
1	B478 6651	Inner Cover:Stapler Unit	1
	B302 6651	x/o MB6	
2	B302 4273	Stapler Unit Knob	1
3	B302 4155	Timing Belt - 153P3M6	1
4	B302 7008	Cover - Stapler Unit Drive	1
5	B302 7709	Decal - R9	1
6	B302 7708	Decal - R8	1
7	AX04 0096	Stepping Motor - DC 18W	2
8	B312 5715	Decal - R7	1
9	B302 4151	Stack Plate Shaft	2
10	B478 4132	Slider:Vibrating Plate	2
11	AX04 0120	Stepped Motor - DC 9.0W	1
12	B478 4111	Stay:Swing Unit:Ass'y	1
13	AW02 0086	Photointerruptor	3
14	B478 4142	Cover:Vibrating Plate	1
15	B302 4155	Timing Belt - 153P3M6	1
16	B302 4141	Stack Plate Wheel	1
17	B302 4142	Stack Plate Guide	1
18	B302 4113	Bushing - 6x9mm	1
19	B302 4112	Bushing - 6mm	1
20	B302 4153	Spring - 3x29mm	2
21	B302 4115	Stack Plate	1
22	B478 4133	Vibrating Plate:Paper:Both Ends	2
23	B478 4134	Compression Spring:Plate:Moveable	2
24	B478 4137	Shaft:Vibrating Plate:Both Ends	4
25	B478 4135	Timing Pulley:18t	2
26	B478 4136	Timing Belt:B40S2M204	2

Index No.	Part No.	Description	Q'ty Per Assembly
101	0451 3008N	Tapping Screw - M3x8	
102	0451 3006N	Tapping Screw - M3x6	
103	0720 0040E	Retaining Ring - M4	
105	0451 3010N	Tapping Screw - M3x10	
106	1105 0310	Harness Clamp - LWS-1S	

4.STAPLE TRAY 3 (B706)

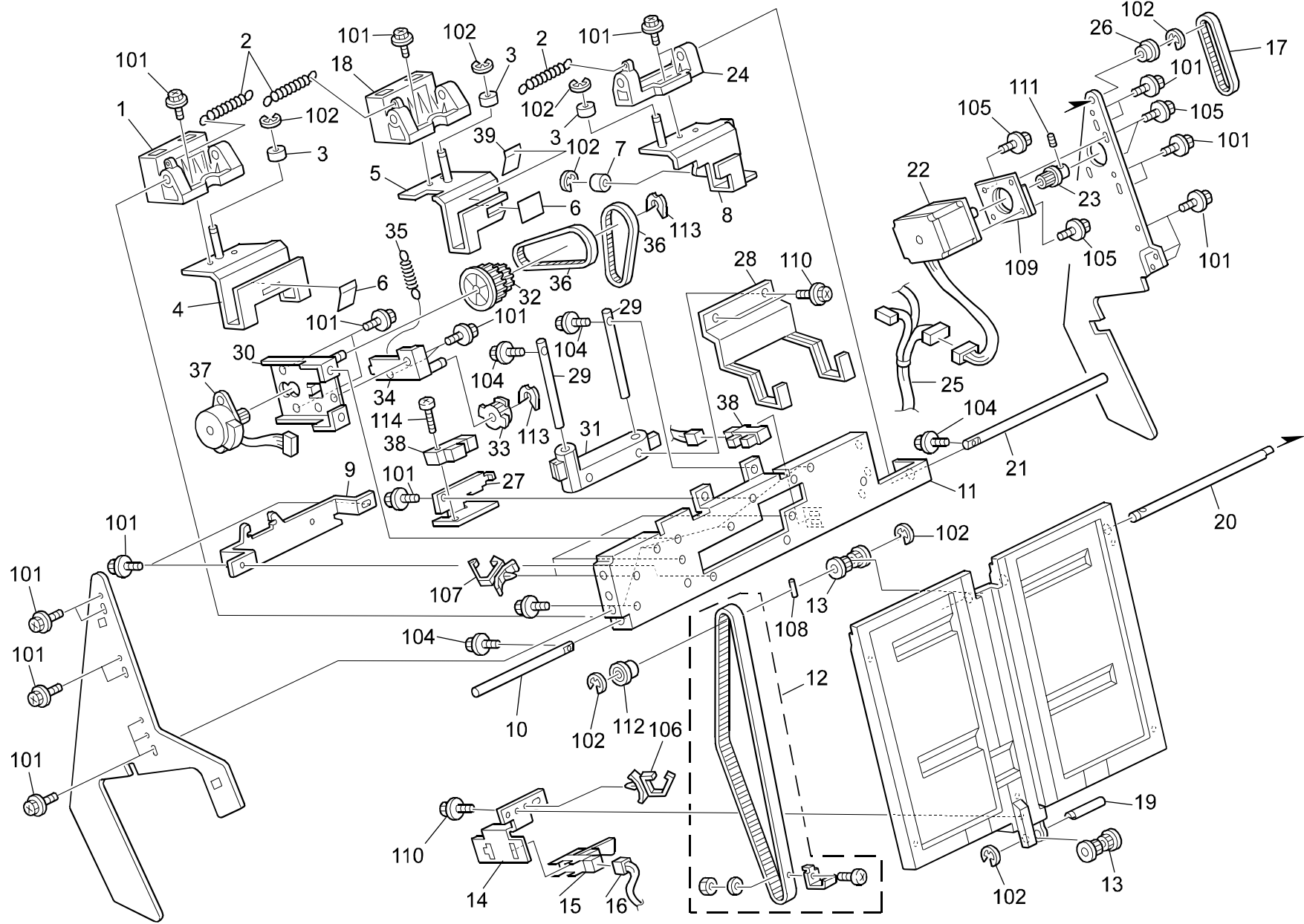


4.STAPLE TRAY 3 (B706)

Index No.	Part No.	Description	Q'ty Per Assembly
1	AX05 0148	Stepper Motor-DC 18.9W	1
2	B302 4752	Jogger Motor Bracket	1
3	A300 3634	Spring Plate - Timing Belt	2
4	B302 4756	Timing Belt - 753P3M6	1
5	AB03 0278	Idler - 20z	1
6	A697 1125	Stepped Screw - Lever	1
7	5442 4121	Spring - Oil Blade	1
8	B468 4766	Tightener	1
9	B478 4749	Stay:Stapler:Middle	1
	B302 4749	x/o MB6	
10	A666 3220	Tightener - Timing Belt	1
11	5201 2722	Bushing - M6x5	2
12	B706 4611	Jogger Fence:Front:Ass'y	1
	B302 4611	x/o MB5	
13	B302 4629	Guide Mylar	2
14	B478 4712	Guide Plate:Stapler Tray	1
	B302 4712	x/o MB6	
15	B706 4721	Guide Plate:Stapler Tray:Small	1
16	B302 4617	Jogger Fence Slider	2
17	B302 4619	Jogger Fence Shaft	2
18	AW01 0093	Photo Reflection Sensor - PS-17ND1	1
19	B706 4625	Jogger Fence:Rear:Ass'y	1
20	B302 4738	Stay:Stapler:Upper	1
21	AW02 0086	Photointerruptor	1
22	B478 5360	Harness:Home Position:Stapler Tray	1
23	B302 4776	Guide Mylar - 17x60	2
24	B706 4631	Guide:Jogger Fence:Front MB5 ADDED	1

Index No.	Part No.	Description	Q'ty Per Assembly
101	0451 3006N	Tapping Screw - M3x6	
102	0313 0040N	Philips Pan Head Screw - M3x4	
103	1105 0229	Clamp	
104	0450 3008N	Tapping Screw - M3x8	
105	0720 0060E	Retaining Ring - M6	
106	0720 0040E	Retaining Ring - M4	
107	0951 3008N	Philips Screw With Flat Washer-M3x8	
108	1105 0199	Clamp	

5.STAPLE TRAY 4 (B706)



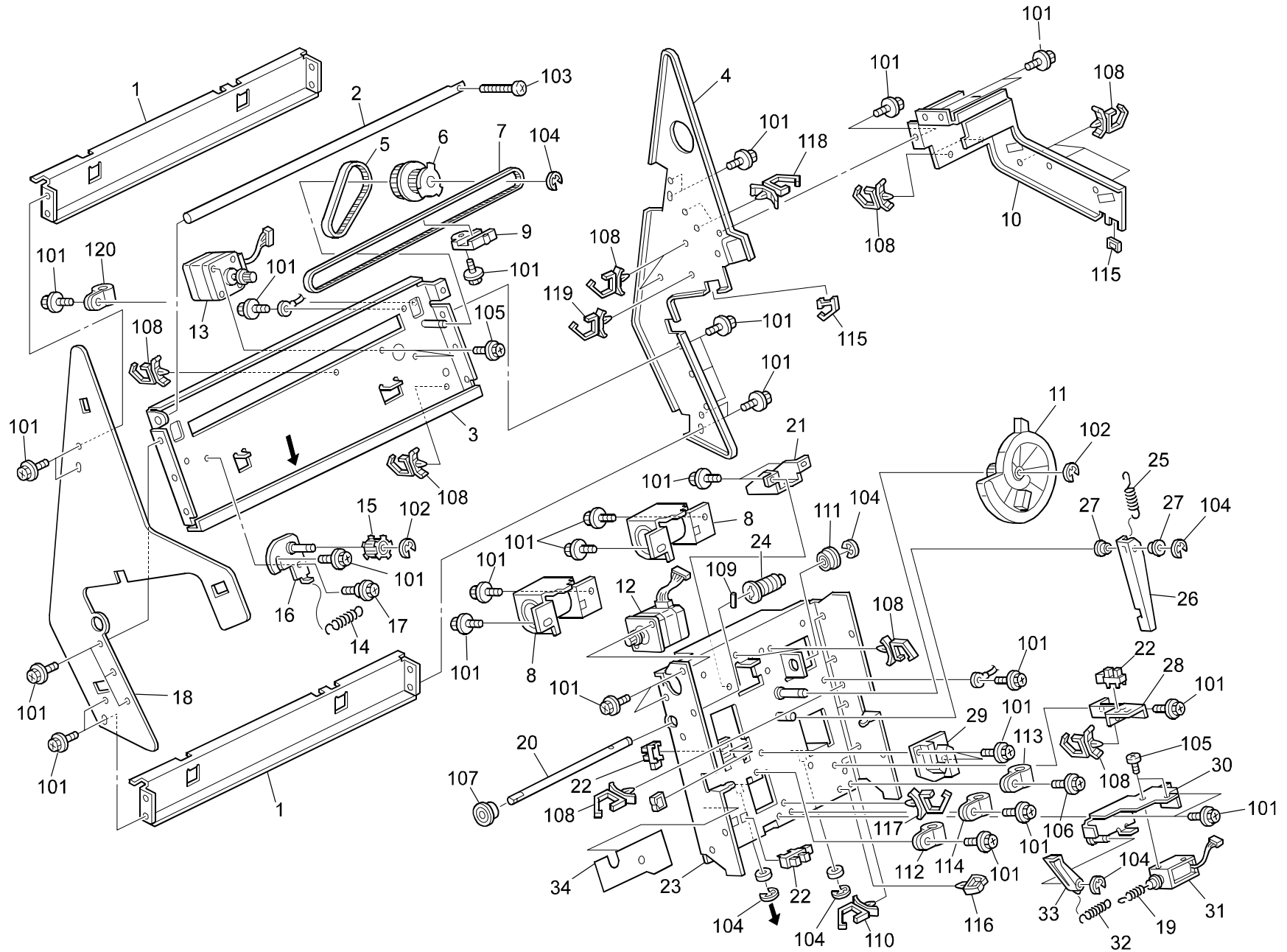
5.STAPLE TRAY 4 (B706)

Index No.	Part No.	Description	Q'ty Per Assembly
1	B478 4515	Slider:Standard Fence:Ass'y	2
2	A300 3759	Spring	3
3	B478 4538	Bushing:Standard Fence	3
4	B706 4511	Standard Fence:Front:Ass'y	1
5	B706 4521	Standard Fence:Rear:Ass'y	1
6	B302 4517	Mylar Guide	2
7	B302 4239	Guide Roller	1
8	B706 4531	Standard Fence:Rear:Auxiliary:Ass'y	1
	B478 4531	x/o MB7	
9	B706 4981	Bracket:Shaft:Standard Fence	1
10	B302 4541	Front Shaft - Slide Holder	1
11	B706 4940	Base:Standard Fence:Moveable:Ass'y	1
12	B302 4770	Exit Belt:Ass'y	1
13	A666 3180	Timing Pulley - Z32	2
14	B302 4727	Bracket - Feed - Out Belt Sensor	1
15	AW02 0049	Photointerruptor - OS - 580213-703	1
16	B706 5390	Harness:Sensor:Stapler Tray:Connecting	1
17	B302 4421	Timing Belt - 293P3M6	1
18	B478 4525	Slider:Standard Fence:Rear:Ass'y	1
19	B302 4731	Lower Exit Shaft	1
20	B302 4717	Upper Exit Shaft	1
21	B302 4542	Rear Shaft - Slide Holder	1
22	AX05 0110	Stepping Motor - DC 2.4v 7.2W	1
23	B302 4423	Timing Pulley - 15Z	1
24	B478 4535	Slider:Standard Fence:Auxiliary	1
25	B478 5380	Harness:Solenoid:Exchange Powl	1
26	A697 2260	Pulley - 17T	1
27	B706 4943	Bracket:Sensor:Stapler Tray	1
28	B706 4951	Standard Fence:Moveable	1
29	B706 4952	Shaft:Guide:Standard Fence:Moveable	2
30	B706 4970	Bracket:Motor:Standard Fence:Moveab	1
31	B674 4324	Standard Fence Moveable Holder	1
32	B674 4330	Pulley - 32/53T	1
33	B674 4334	Pulley - 20T	1
34	B674 4335	Standard Fence Belt Tensioner	1

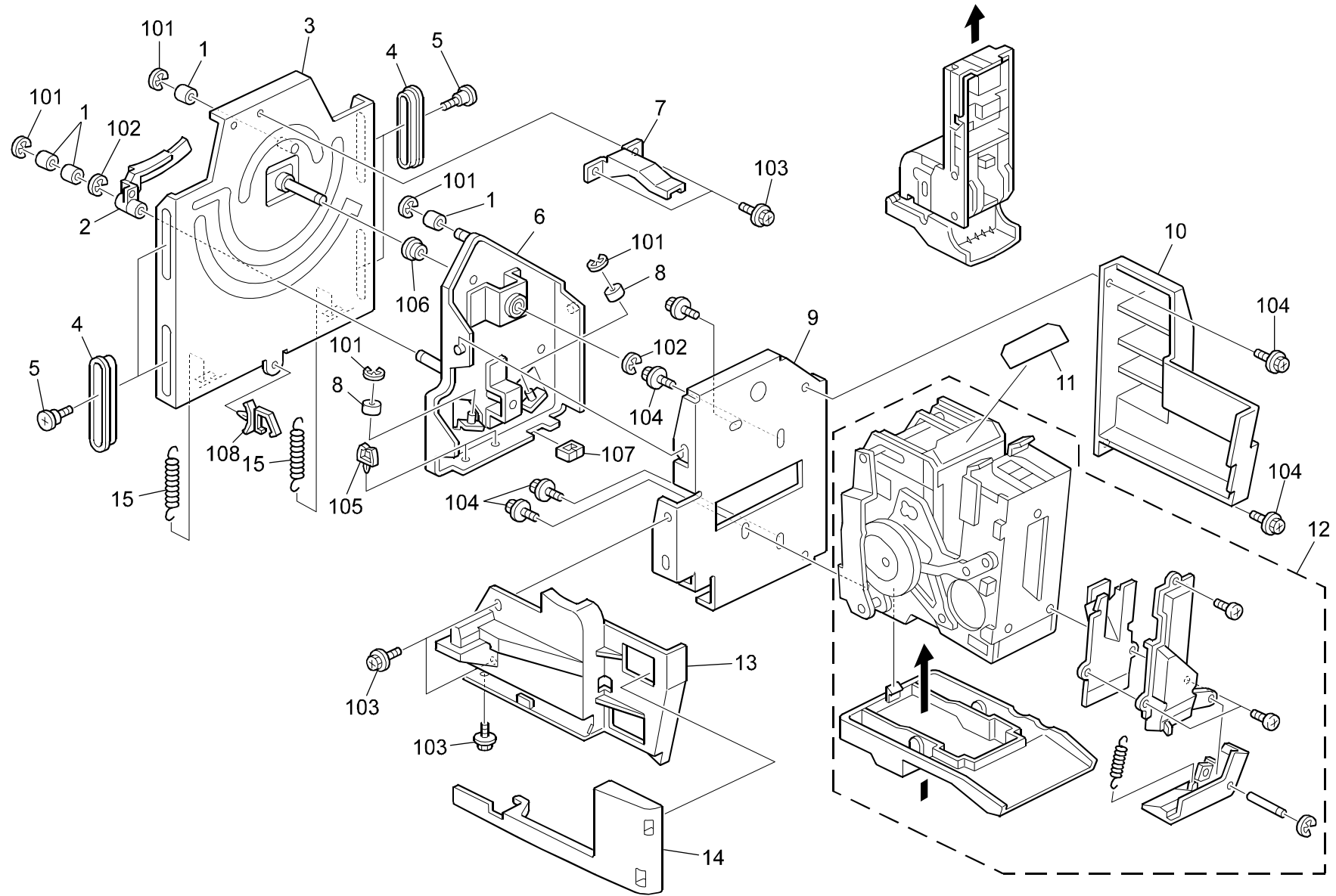


Index No.	Part No.	Description	Q'ty Per Assembly
35	B674 4338	Standard Fence Tension Spring	1
36	B674 4339	Timing Belt - B40S2M192	2
37	B468 5780	Stepper Motor - DC 20.4w	1
38	AW02 0086	Photointerruptor	1
39	B478 4527	Guide:Paper:Inner Back	1
101	0451 3006N	Tapping Screw - M3x6	
102	0720 0040E	Retaining Ring - M4	
103	0450 3008N	Tapping Screw - M3x8	
104	0451 3010N	Tapping Screw - M3x10	
105	0451 4006N	Tapping Screw - 4x6	
106	1105 0199	Clamp	
107	1105 0511	Harness Clamp - LWS-0306ZC	
108	0633 0100G	Parallel Pin - 3x10	
109	1005 0946	Stepping Motor Cushion	
110	0450 3008N	Tapping Screw - M3x8	
111	0574 0050E	Hexagon Headless Set Screw - M4x5	
112	0741 3506	Ball Bearing - 6x12x4 mm	
113	0805 0089	Retaining Ring - M4	
114	0313 0140N	Philips Pan Head Screw - M3x14	

6.STAPLE TRAY 5 (B706)



7.STAPLER UNIT (B706)

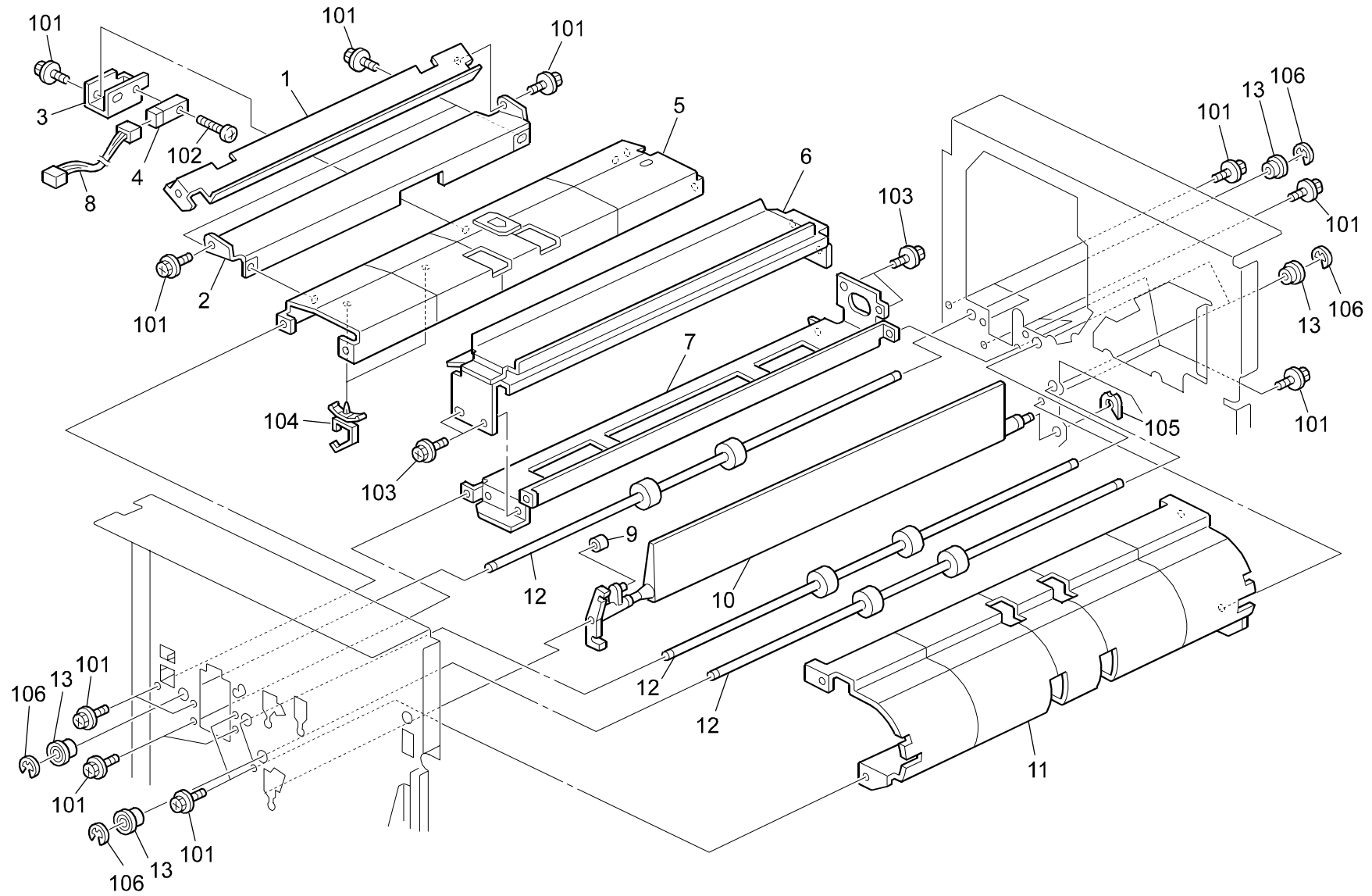


7.STAPLER UNIT (B706)

Index No.	Part No.	Description	Q'ty Per Assembly
1	B302 4239	Guide Roller	4
2	B302 4229	Sensor Actuator	1
3	B302 4248	Holder: Middle: Stapler: Ass'y	1
4	B302 4238	Slide Guide	4
5	A697 4150	Stepped Screw - M5	4
6	B302 4218	2nd Holder - Stapler Unit	1
7	B302 4247	Slider Hook	1
8	A377 4741	Roller - M14	2
9	B302 4214	Stapler Bracket	1
10	B302 4217	Rear Stapler Cover	1
11	B478 4219	Guide:Stapler:Entrance	1
12	AJ01 1017	Stapler:EH-1100R2	1
13	B302 4215	Front Stapler Cover	1
14	B302 4216	Stapler Harness Cover	1
15	B302 4267	Spring - 10x59mm	2

Index No.	Part No.	Description	Q'ty Per Assembly
101	0720 0040E	Retaining Ring - M4	
102	0720 0060E	Retaining Ring - M6	
103	0451 3006N	Tapping Screw - M3x6	
104	0451 4008N	Philips Tapping Screw - M4x8	
105	1105 0229	Clamp	
106	0805 3368	Ball Bearing - 8x16x5mm	
107	1105 0243	Wire Saddle	
108	1105 0511	Harness Clamp - LWS-0306ZC	

8.STAPLE TRANSPORT 1 (B706)

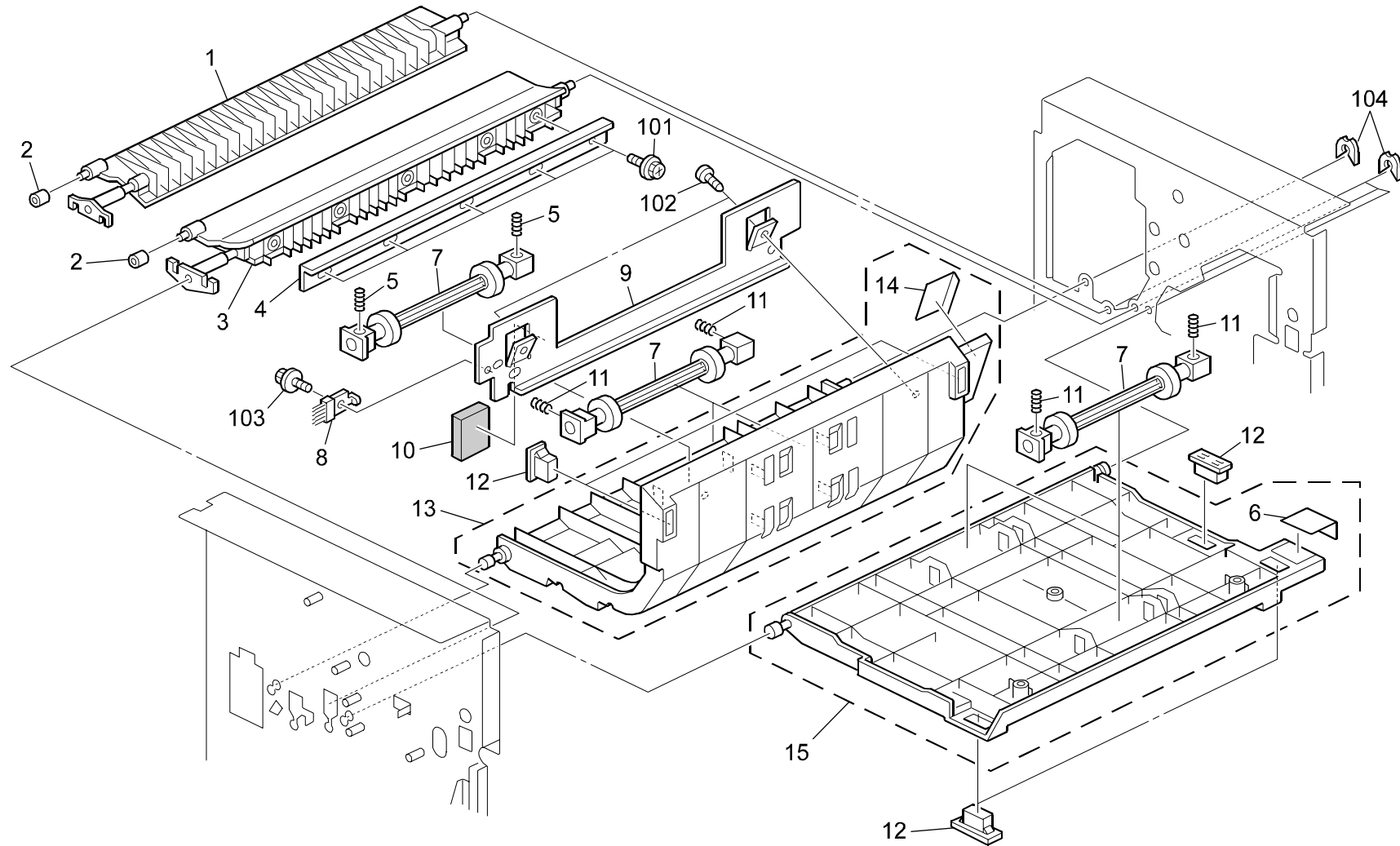


8.STAPLE TRANSPORT 1 (B706)

Index No.	Part No.	Description	Q'ty Per Assembly
1	A697 2251	Upper Relay Guide	1
2	A697 2250	Lower Relay Guide	1
3	B302 2354	Entrance Sensor Bracket	1
4	AW01 0093	Photo Reflection Sensor - PS-17ND1	1
5	B302 2363	Guide Plate:Entrance:Lower	1
6	A697 2160	Guide Plate - Punch Unit	1
7	A697 1131	Middle Stay	1
8	B478 5241	Harness:Entrance Sensor:Connecting	1
9	A458 2251	Cushion - Bin Solenoid Lever	1
10	B302 2716	Gate Pawl:Lengthwise	1
11	B302 2347	Turn Guide	1
12	AF02 0501	Transport Roller	3
13	A859 2230	Ball Bearing - 6x13x5	6

Index No.	Part No.	Description	Q'ty Per Assembly
101	0451 3006N	Tapping Screw - M3x6	
102	0313 0140N	Philips Pan Head Screw - M3x14	
103	0451 4006N	Tapping Screw - 4x6	
104	1105 0199	Clamp	
105	0805 0089	Retaining Ring - M4	
106	0720 0040E	Retaining Ring - M4	

9.STAPLE TRANSPORT 2 (B706)

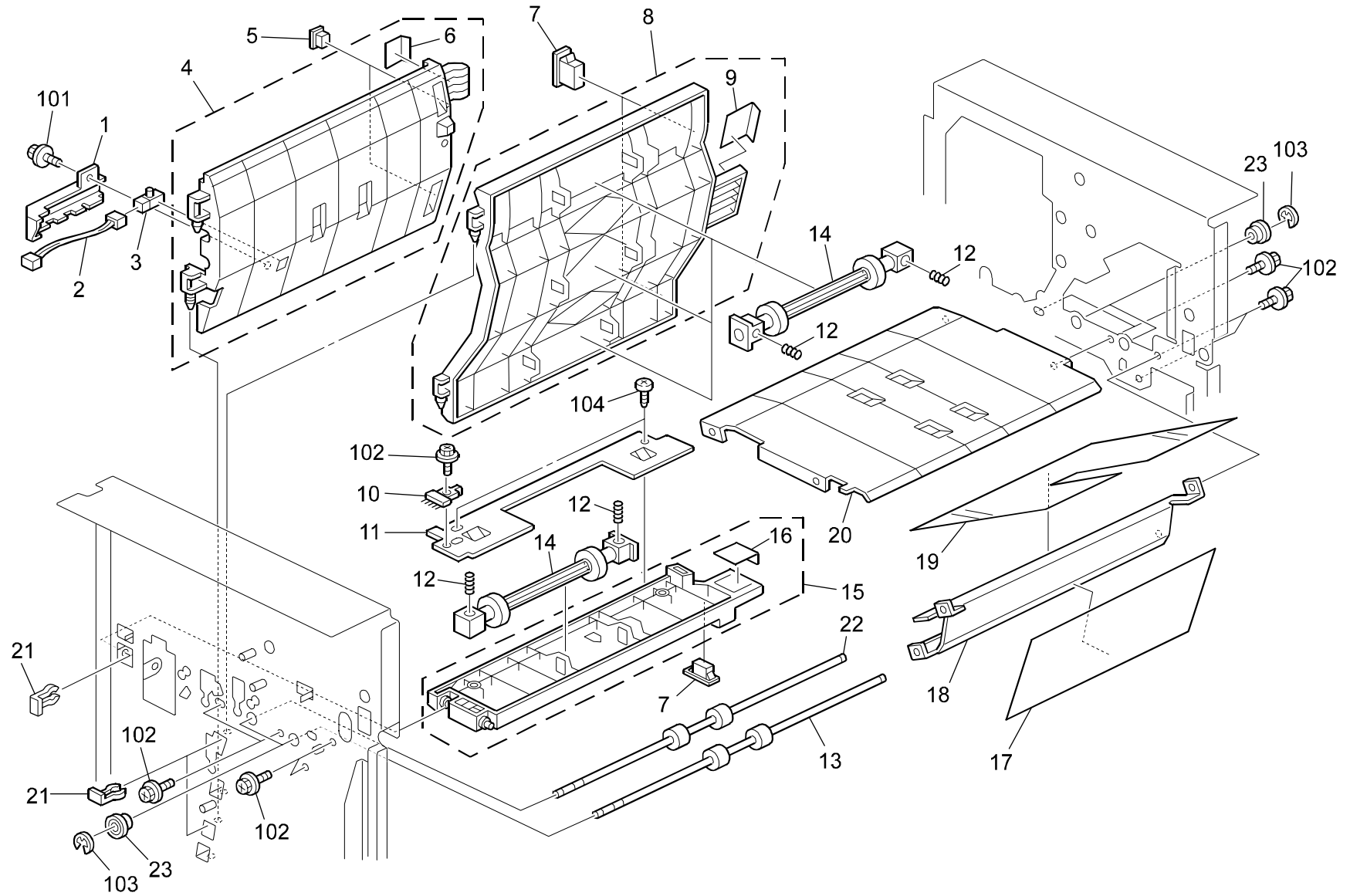


9.STAPLE TRANSPORT 2 (B706)

Index No.	Part No.	Description	Q'ty Per Assembly
1	B302 2611	Stapler Junction Gate	1
2	A458 2251	Cushion - Bin Solenoid Lever	2
3	B302 2514	Exit Junction Gate	1
4	B302 2513	Support Plate - Exit Gate	1
5	B302 2224	Pressure Spring - 5.5x18mm	2
6	B302 7703	Decal - R3	1
7	AF02 2147	Driven Roller	5
8	AA12 0097	Antistatic Brush	1
9	B302 2352	Support Plate	1
10	B302 2296	Guide Holder Cushion	1
11	AA06 3400	Pressure Spring - 5.5x19.5mm	8
12	A680 1181	Magnetic Catch	5
13	B302 7014	Guide Plate:Proof Tray:Ass'y	1
14	B302 7702	Decal - R2	1
15	B302 7013	Upper Guide - Shift Tray	1

Index No.	Part No.	Description	Q'ty Per Assembly
101	0451 3008N	Tapping Screw - M3x8	
102	0452 4008N	Binding Self Tapping Screw-M4x8	
103	0451 3006N	Tapping Screw - M3x6	
104	0805 0089	Retaining Ring - M4	

10.STAPLE TRANSPORT 3 (B706)

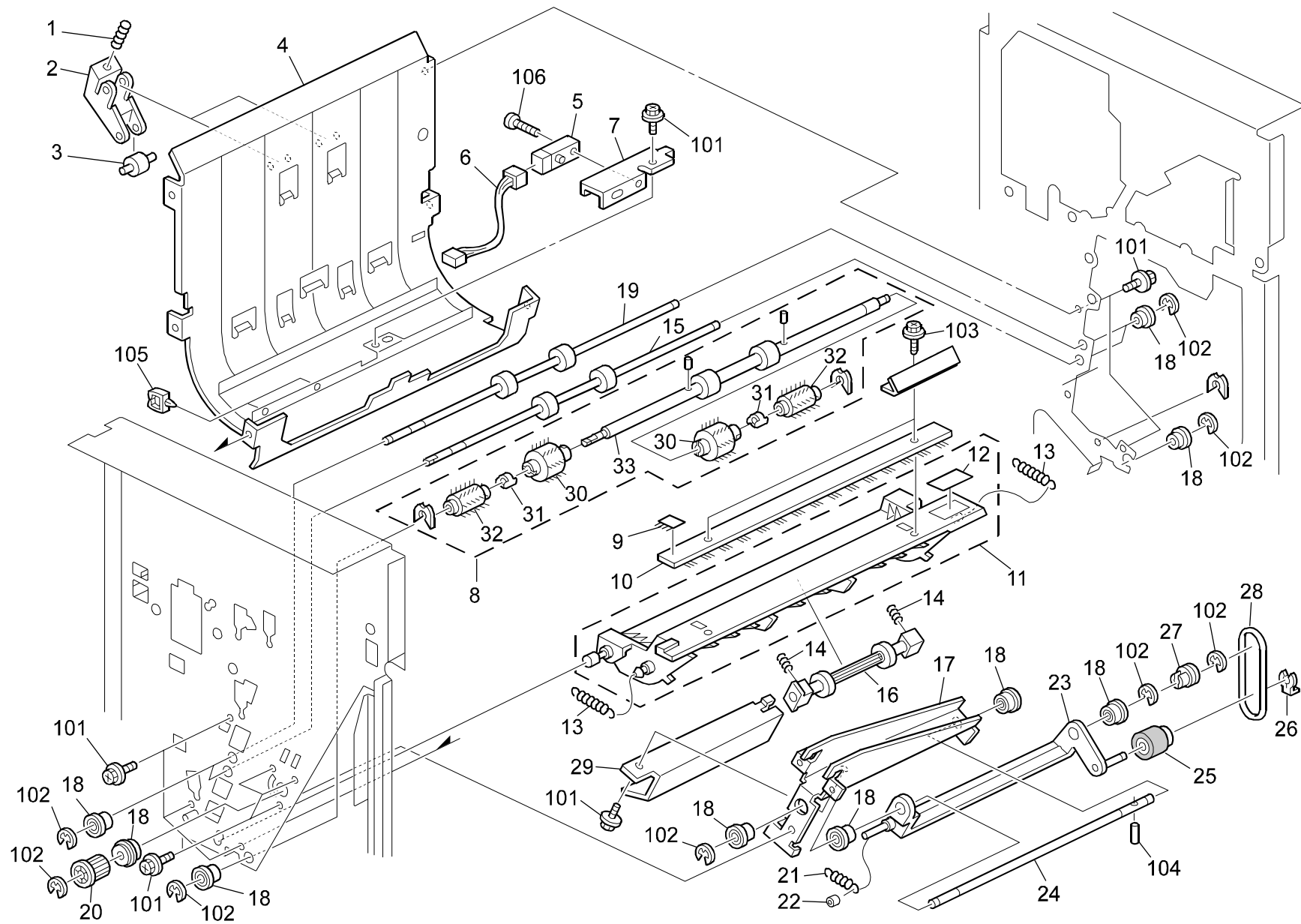


10.STAPLE TRANSPORT 3 (B706)

Index No.	Part No.	Description	Q'ty Per Assembly
1	B302 2442	Cover - Stack Tray Paper Sensor	1
2	B478 5320	Harness:Duplex Stack:Connecting	1
3	AW01 0093	Photo Reflection Sensor - PS-17ND1	1
4	B302 7005	Middle Guide - Vertical Transport	1
5	G012 1531	Magnet	2
6	B302 7705	Decal - R5	1
7	A680 1181	Magnetic Catch	3
8	B302 7004	Left Guide - Vertical Transport	1
9	B302 7704	Decal - R4	1
10	AA12 0097	Antistatic Brush	1
11	B302 2352	Support Plate	1
12	AA06 3400	Pressure Spring - 5.5x19.5mm	8
13	AF02 0502	Transport Roller	1
14	AF02 2147	Driven Roller	4
15	B302 7001	Upper Entrance Guide	1
16	B302 7701	Decal - R1	1
17	B706 2361	Guide:Discharge (exit):Leading Edge	1
18	B706 2521	Guide Plate:Exit	1
19	A379 2523	Exit Guide Mylar	1
20	B302 2342	Lower Guide - Shift Tray	1
21	C101 2360	Snap Ring	4
22	AF02 0501	Transport Roller	1
23	A859 2230	Ball Bearing - 6x13x5	4

Index No.	Part No.	Description	Q'ty Per Assembly
101	0450 3008N	Tapping Screw - M3x8	
102	0451 3006N	Tapping Screw - M3x6	
103	0720 0040E	Retaining Ring - M4	
104	0313 0040N	Philips Pan Head Screw - M3x4	

11.STAPLE TRANSPORT 4 (B706)

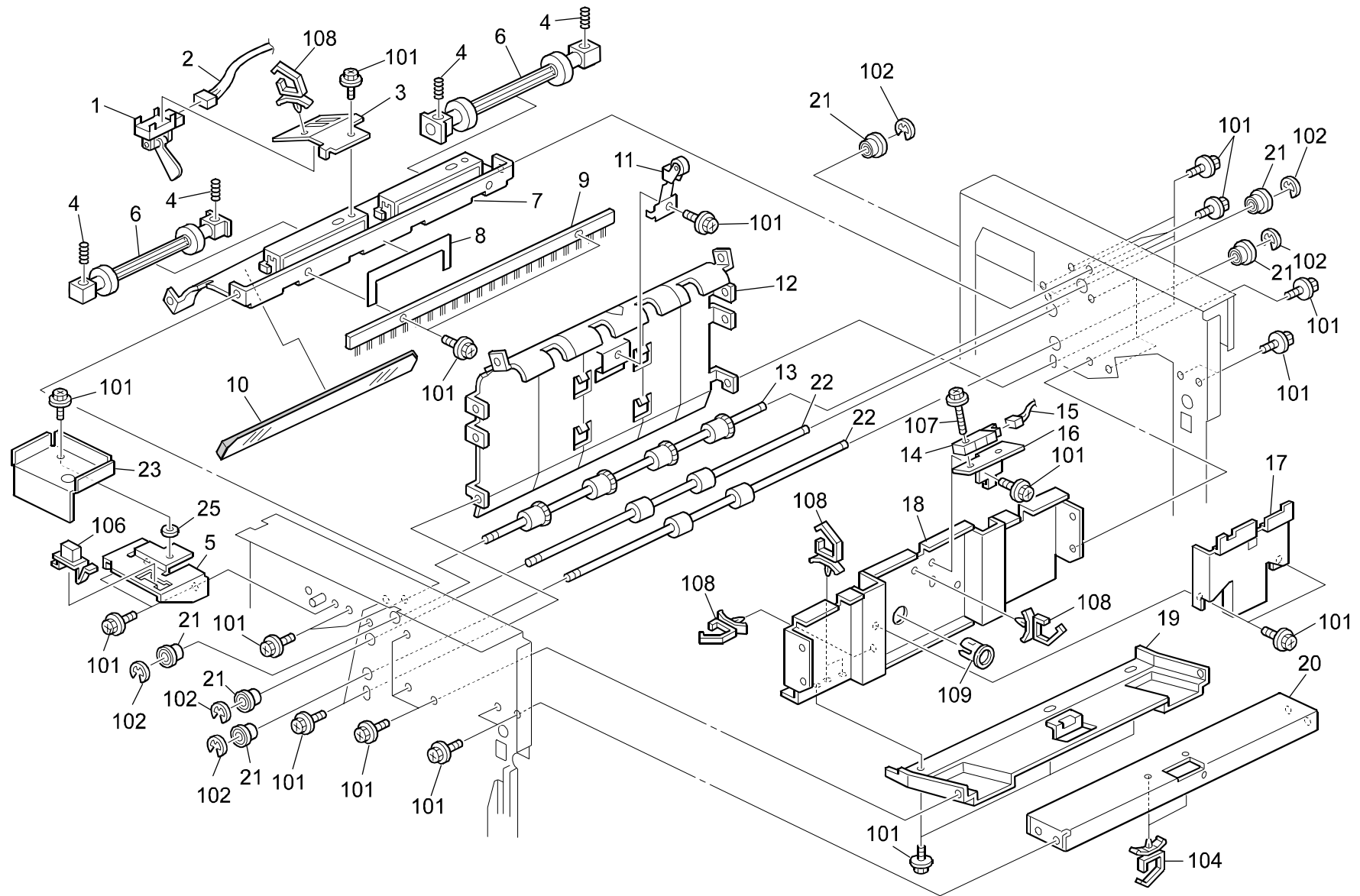


11.STAPLE TRANSPORT 4 (B706)

Index No.	Part No.	Description	Q'ty Per Assembly
1	B302 2429	Pressure Spring - 6x18mm	2
2	B302 2428	Driven Roller Holder	2
3	A376 3153	Lower Driven Roller	2
4	B302 2437	Right Guide - Vertical Transport	1
5	AW01 0093	Photo Reflection Sensor - PS-17ND1	1
6	B478 5350	Harness:Stapler Tray:Connecting	1
7	B302 2416	Exit Sensor Bracket - Staple Tray	1
8	B302 2410	Exit Roller - Staple Tray	1
9	A697 2131	Antistatic Brush	1
10	AA12 0099	Antistatic Brush - 320mm	1
11	B302 7026	Guide Plate:Lower:Open And Close	1
12	B302 7706	Decal - R6	1
13	B302 2459	Spring - 5x39mm	2
14	AA06 3529	Pressure Spring - 14.5mm	2
15	AF02 0502	Transport Roller	1
16	AF02 2147	Driven Roller	1
17	B302 2124	Bracket:Gathering Roller	1
18	A859 2230	Ball Bearing - 6x13x5	11
19	B302 2461	Transport Roller	1
20	A697 2260	Pulley - 17T	1
21	B478 2127	Tension Spring:Gathering Roller	1
22	AA16 1099	Lever Cushion	1
23	B478 2111	Positioning Roller Arm	1
24	B302 2115	Positioning Roller Drive Shaft	1
25	B478 2116	Reverse Roller - Stapler Tray	1
26	5447 2681	Snap Ring	1
27	5919 2127	Positioning Roller Pulley	1
28	5919 2132	Positioning Roller Belt	1
29	B478 2123	Guide:Bracket:Gathering Roller	1
30	A697 2138	Brush Roller	2
31	A697 2132	Joint - Brush Roller	2
32	B302 2413	Brush Roller	2
33	B302 2411	Exit Roller:Lower:Sub-ass'y	1
34	B478 2452	Guide:Open And Close	2

Index No.	Part No.	Description	Q'ty Per Assembly
101	0451 3006N	Tapping Screw - M3x6	
102	0720 0040E	Retaining Ring - M4	
103	0450 3008N	Tapping Screw - M3x8	
104	0623 0120E	Spring Pin - M3x12	
105	1105 0199	Clamp	
106	0313 0140N	Philips Pan Head Screw - M3x14	

12.TRANSPORT SECTION 1 (B706)

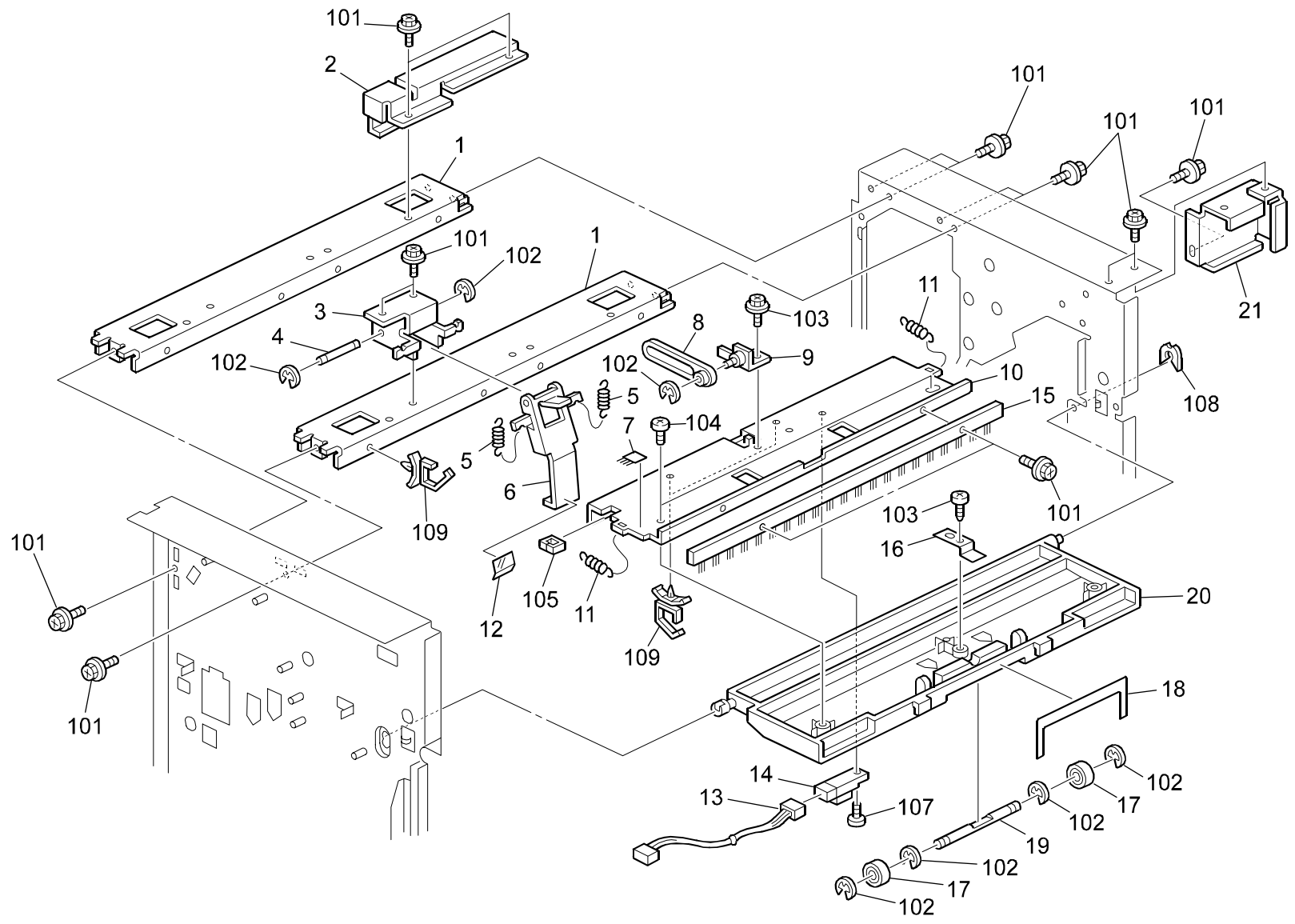


12.TRANSPORT SECTION 1 (B706)

Index No.	Part No.	Description	Q'ty Per Assembly
1	AW02 0049	Photointerruptor - OS - 580213-703	1
2	B478 5250	Harness:Proof Tray:Connecting	1
3	B302 2237	Exit Sensor Bracket - Upper Tray	1
4	AA06 3529	Pressure Spring - 14.5mm	4
5	B478 1123	Bracket:Connector	1
6	AF02 2148	Roller:Driven:L=125	2
7	B302 2218	Upper Exit Guide - Upper Tray	1
8	B302 2216	Exit Guide - Upper Exit Guide	1
9	AA12 0090	Discharge Brush L=320 MM3	1
10	B302 2217	Entrance Guide - Upper Exit Guide	1
11	B478 2231	Roller:Exit:Auxiliary:Ass'y	1
12	B302 2230	Left Guide - Upper Tray	1
13	B302 2202	Exit Roller - Upper Tray	1
14	AW01 0091	Photo Reflection Sensor	1
15	B706 5730	Harness:Sensor:Proof Tray:Connecting	1
16	B706 2246	Bracket:Photo Refiection Sensor:Overflow	1
17	B706 2249	Cover:Sensor	1
18	B302 2243	Upper End Fence - Upper Tray	1
19	B302 2253	Lower End Fence - Upper Tray	1
20	B302 1133	Upper Exit Tray	1
21	A859 2230	Ball Bearing - 6x13x5	6
22	AF02 0501	Transport Roller	2
23	B478 1129	Cover:Connector	1
24	B302 1134	Lever Stay	1
25	AA10 0006	Nut - M3.6	1

Index No.	Part No.	Description	Q'ty Per Assembly
101	0451 3006N	Tapping Screw - M3x6	
102	0720 0040E	Retaining Ring - M4	
103	1105 0199	Clamp	
104	1105 0310	Harness Clamp - LWS-1S	
105	1106 0411	Bushing - 11.5mm	
106	1102 8534	Connector - QR/P17-14S-B	
107	0451 3012N	Tapping Screw With Washer - M3x12	1
108	1105 0511	Harness Clamp - LWS-0306ZC	
109	1106 0411	Bushing - 11.5mm	

13.TRANSPORT SECTION 2 (B706)

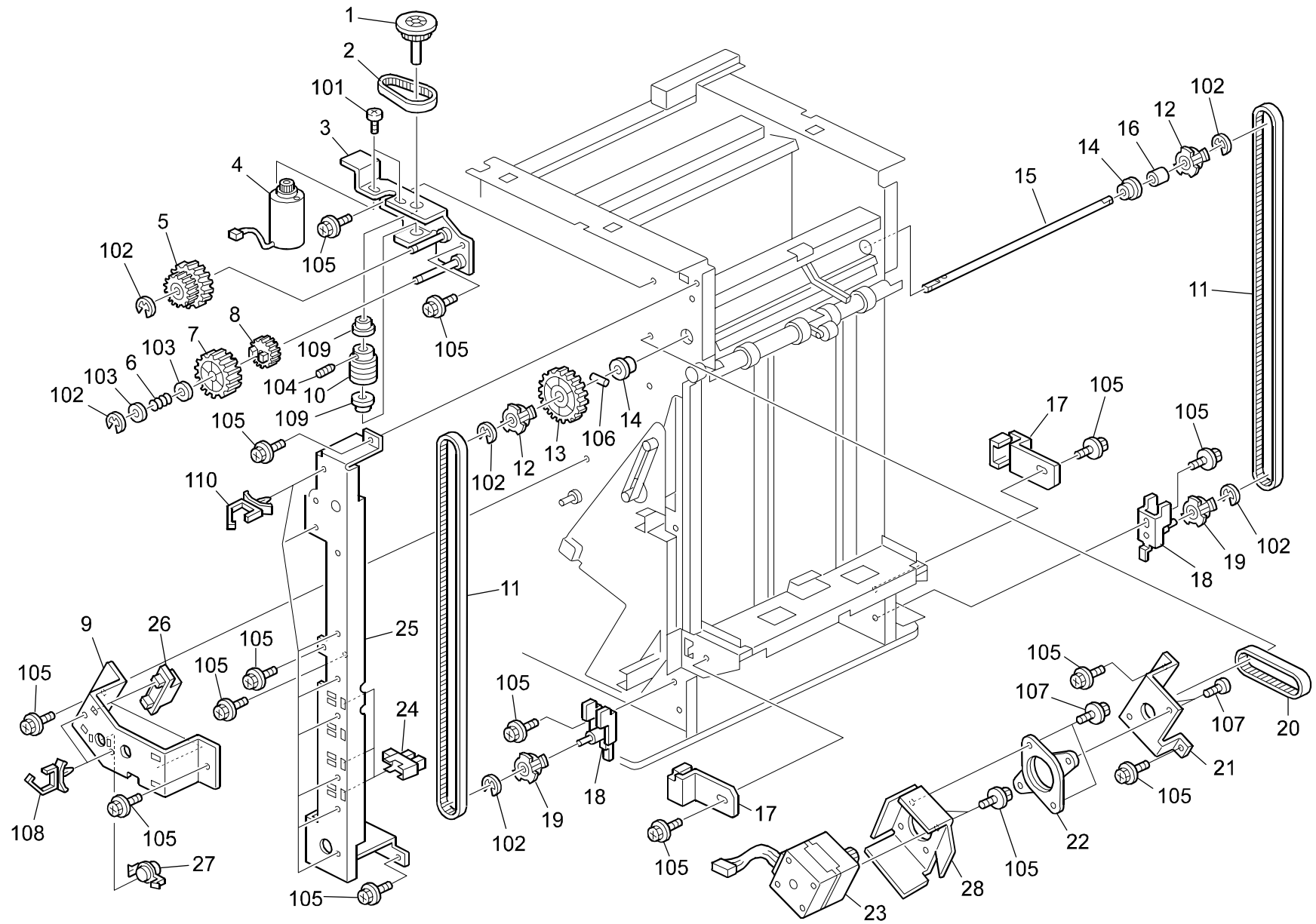


13.TRANSPORT SECTION 2 (B706)

Index No.	Part No.	Description	Q'ty Per Assembly
1	B408 1413	Coupling Stay	2
2	B302 6414	Upper Cover Stay	1
3	B302 2297	Guide Holder Bracket	1
4	B302 2293	Guide Holder Shaft	1
5	B302 2294	Guide Holder Tension Spring	2
6	B302 2298	Guide Holder Lever	1
7	A697 2131	Antistatic Brush	1
8	B302 2326	Link - Upper Exit Guide	1
9	A353 3361	Exit Guide Bracket	1
10	B302 2329	Exit Guide Bracket	1
11	B302 2328	Exit Guide Shift Spring	2
12	B302 2295	Guide Holder Film	1
13	B478 5271	Harness:Paper Feed Sensor:Shift	1
14	AW01 0088	Sensor GP2A200LCS - Assembly	1
15	B302 2323	Antistatic Brush - 320mm	1
16	A353 3354	Driven Roller Holder	1
17	B478 2328	Exit Roller:Driven	2
18	A379 2215	Exit Mylar	1
19	B478 2324	Exit Roller Shaft	1
20	A697 2175	Upper Exit Guide	1
21	B302 6413	Front Left Stay	1

Index No.	Part No.	Description	Q'ty Per Assembly
101	0451 3006N	Tapping Screw - M3x6	
102	0720 0040E	Retaining Ring - M4	
103	0451 4006N	Tapping Screw - 4x6	
104	0452 4008N	Binding Self Tapping Screw-M4x8	
105	1105 0328	Harness Clamp - ES-0505	
106	1105 0199	Clamp	
107	0313 0060N	Philips Pan Head Screw - M3x6	
108	0805 0089	Retaining Ring - M4	
109	1105 0511	Harness Clamp - LWS-0306ZC	

14.PAPER EXIT SECTION 1 (B706)

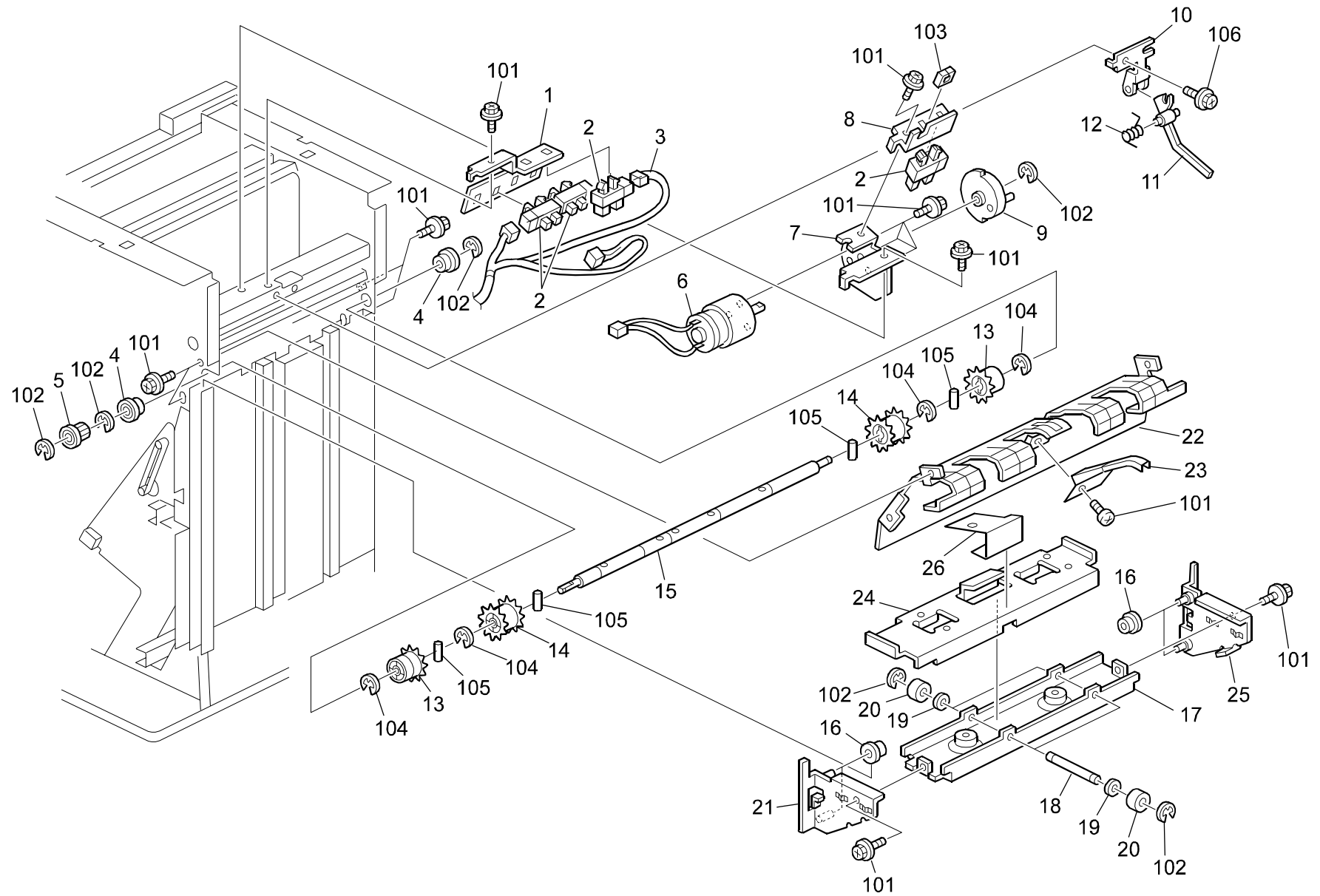


14.PAPER EXIT SECTION 1 (B706)

Index No.	Part No.	Description	Q'ty Per Assembly
1	A697 3225	Worm Wheel Shaft	1
2	AA04 3054	Timing Belt - 142 P2M4	1
3	A697 3130	Lift Motor Bracket	1
4	AX05 0074	DC Motor - 24V - 9.9W	1
5	A697 3145	Gear - 36Z/18Z	1
6	A353 3113	Pressure Spring	1
7	A697 3140	Gear - 30Z	1
8	A697 3135	Gear - 18Z	1
9	B478 1192	Bracket:Coupling:Upper	1
	B302 1194	x/o MB6	
10	A300 2736	Worm Gear	1
11	A697 3155	Timing Belt - B60S5M1420	2
12	A697 3180	Pulley - 18T	2
13	A697 3170	Gear - 42Z	1
14	C203 5135	Bushing - 10x14x5.9	2
15	A697 3165	Tray Drive Shaft	1
16	A697 3175	Spacer - 10x14x13.5mm	1
17	A697 3150	Fixing Plate - Timing Belt	2
18	A697 3190	Tightener	2
19	A697 3185	Pulley - 18T	2
20	AA04 3305	Timing Belt - 210P3M6	1
21	A379 1711	Motor Bracket	1
22	A663 2113	Cushion - Stepping Motor	1
23	AX05 0199	Stepper Motor:MM42:1.2A:3.2V	1
24	AW02 0114	Photo Interruptor - Lower Limit	3
25	A697 3161	Bracket:Sensor:Paper Volume Sensor	1
26	AG07 1010	Magnet Catch	2
27	B478 1193	Holder:Coupling:Upper	1
28	B478 1533	Heat Sink:Drive:Exit Roller	1

Index No.	Part No.	Description	Q'ty Per Assembly
101	0313 0050N	Philips Pan Head Screw - M3x5	
102	0720 0060E	Retaining Ring - M6	
103	0807 5056	Washer - 8.1mm	
104	0574 0040E	Hexagon Headless Set Screw - M4x4	
105	0451 3006N	Tapping Screw - M3x6	
106	0634 0200G	Parallel Pin - 4x20	
107	0313 0040N	Philips Pan Head Screw - M3x4	
108	1105 0310	Harness Clamp - LWS-1S	
109	0741 3506	Ball Bearing - 6x12x4 mm	
110	1105 0488	Harness Clamp	

15.PAPER EXIT SECTION 2 (B706)

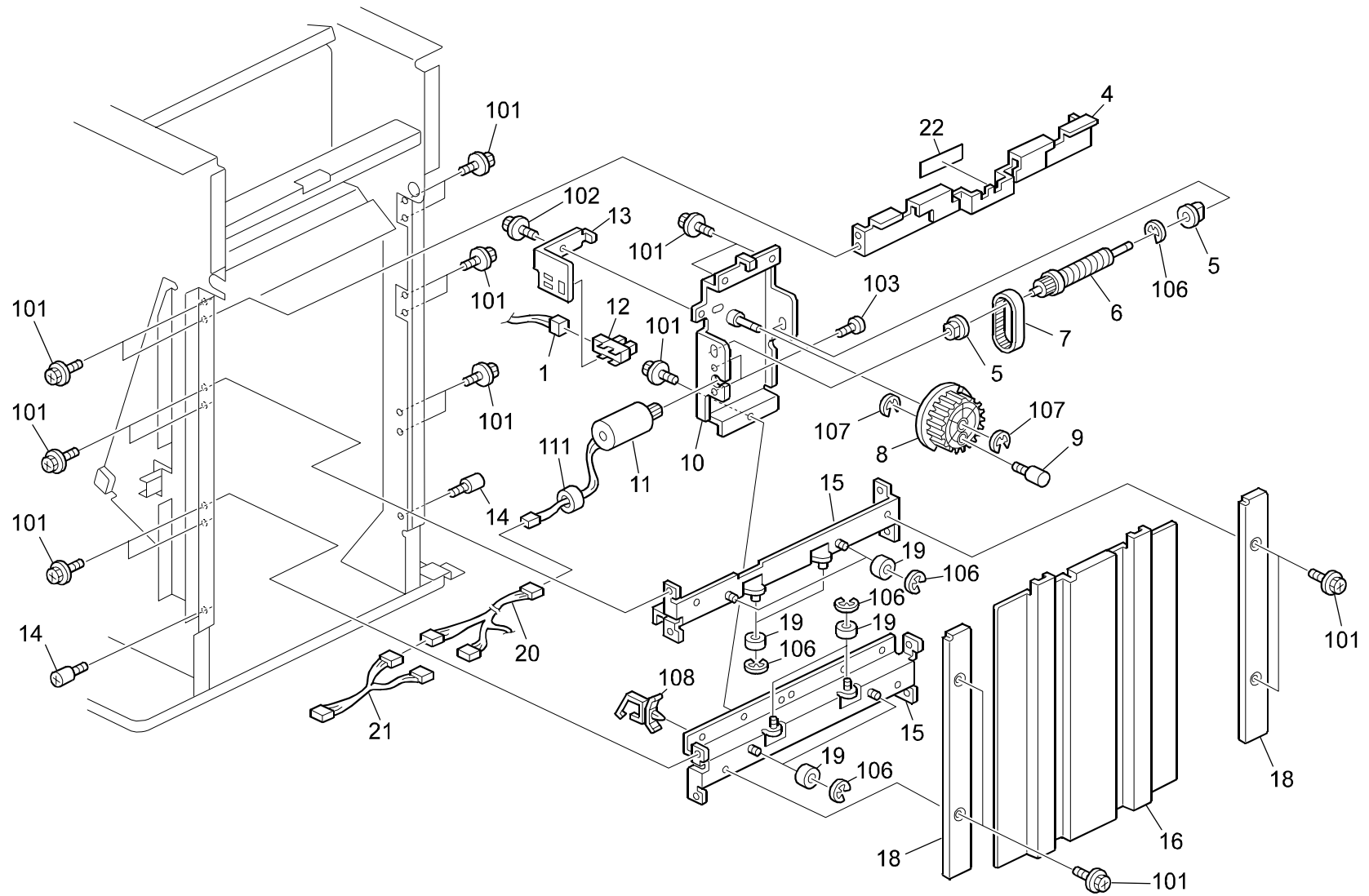


15.PAPER EXIT SECTION 2 (B706)

Index No.	Part No.	Description	Q'ty Per Assembly
1	B706 1143	Bracket:Sensor:Paper	1
2	AW02 0086	Photointerruptor	4
3	B706 5280	Harness:Sensor:Paper Exit	1
4	A859 2230	Ball Bearing - 6x13x5	2
5	A697 2260	Pulley - 17T	1
6	AX04 0097	DC Motor - DC 5W	1
7	B302 1146	Bracket - Exit Guide Plate Motor	1
8	B302 1148	Bracket - Exit Guide Plate Sensor	1
9	B302 1147	Guide Pulley - Exit Guide Plate	1
10	B706 3172	Actuator Bracket	1
11	B706 1145	Lever:Sensor:Upper	1
12	A353 3173	Pressure Spring	1
13	B302 2305	Middle Exit Roller	2
14	B302 2302	Front & Rear Exit Roller	2
15	B302 2311	Exit Roller Shaft	1
16	A379 3316	Shift Guide Roller	4
17	A697 3120	Shift Tray Base	1
18	A353 3271	Tray Shift Shaft	2
19	AA13 2024	Spacer - M6	4
20	A353 3272	Guide Roller	4
21	B478 3110	Side Plate:Shift Tray:Front:Ass'y	1
22	B478 2333	Guide Plate:Exit:Lower:Sub-ass'y	1
23	B478 2332	Spring Plate:Shift:Exit	1
24	A697 3126	Holder:Shift Tray	1
25	B478 3115	Side Plate:Shift Tray:Back	1
26	B478 3113	Shift Tray Guide Holder	1

Index No.	Part No.	Description	Q'ty Per Assembly
101	0451 3006N	Tapping Screw - M3x6	
102	0720 0040E	Retaining Ring - M4	
103	1105 0328	Harness Clamp - ES-0505	
104	0720 0060E	Retaining Ring - M6	
105	0633 0120G	Parallel Pin - 3x12	
106	0451 4006N	Tapping Screw - 4x6	

16.PAPER EXIT SECTION 3 (B706)

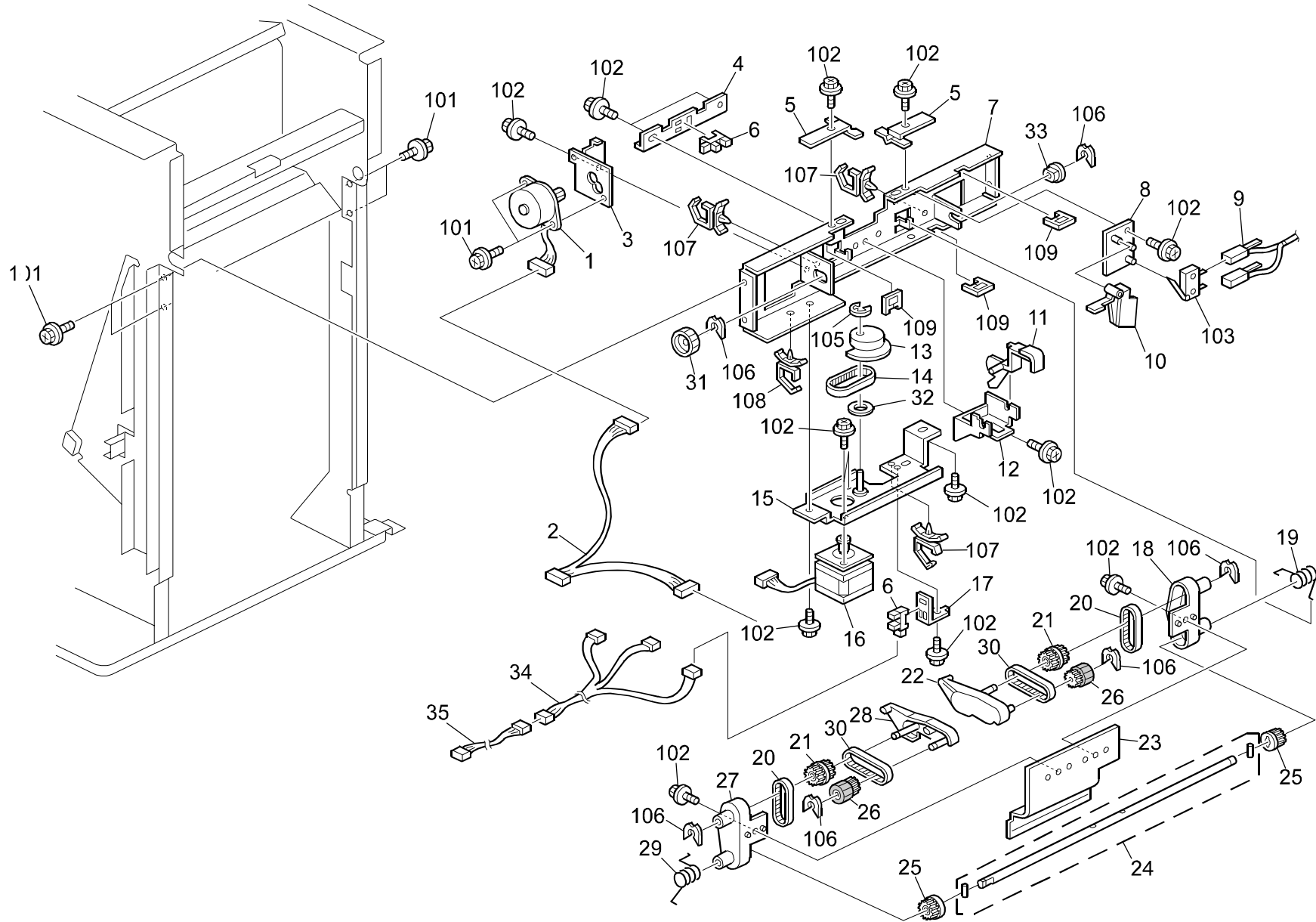


16.PAPER EXIT SECTION 3 (B706)

Index No.	Part No.	Description	Q'ty Per Assembly
1	B478 5301	Harness:Shift Tray Section	1
4	B478 3100	Exit Roller Cover	1
5	5053 0447	Bushing - 6mm	2
6	B302 3215	Worm Pulley - 29z	1
7	B302 3220	Timing Belt - B40S2M124	1
8	A697 3195	Worm Wheel	1
9	B478 3200	Shaft:Shift:Slide	1
10	B302 3212	Shift Motor Bracket	1
11	AX05 0074	DC Motor - 24V - 9.9W	1
12	B478 5440	Harness:Sensor:Return:Paper Sensor	1
13	A697 3205	Shift Sensor Bracket	1
14	AA14 3059	Pin - 6x16	2
15	B478 3121	Exit Stay	2
16	B478 3107	End Fence:Ass'y	1
17	A697 2131	Antistatic Brush	1
18	A697 3109	End Fence Cover	2
19	AA13 2011	Slider Guide Roller	8
20	B478 5301	Harness:Shift Tray Section	1
21	B478 5295	Harness:Shift Tray:Connecting	1
22	B478 3101	Spacer:Gathering Roller:Shift Tray	1

Index No.	Part No.	Description	Q'ty Per Assembly
101	0451 4006N	Tapping Screw - 4x6	
102	0451 3006N	Tapping Screw - M3x6	
103	0313 0050N	Philips Pan Head Screw - M3x5	
104	0313 0140N	Philips Pan Head Screw - M3x14	
105	1105 0199	Clamp	
106	0720 0040E	Retaining Ring - M4	
107	0720 0060E	Retaining Ring - M6	
109	1105 0310	Harness Clamp - LWS-1S	
111	1607 0623	Ferrite Core - TFC-16-8-13	

17.PAPER EXIT SECTION 4 (B706)

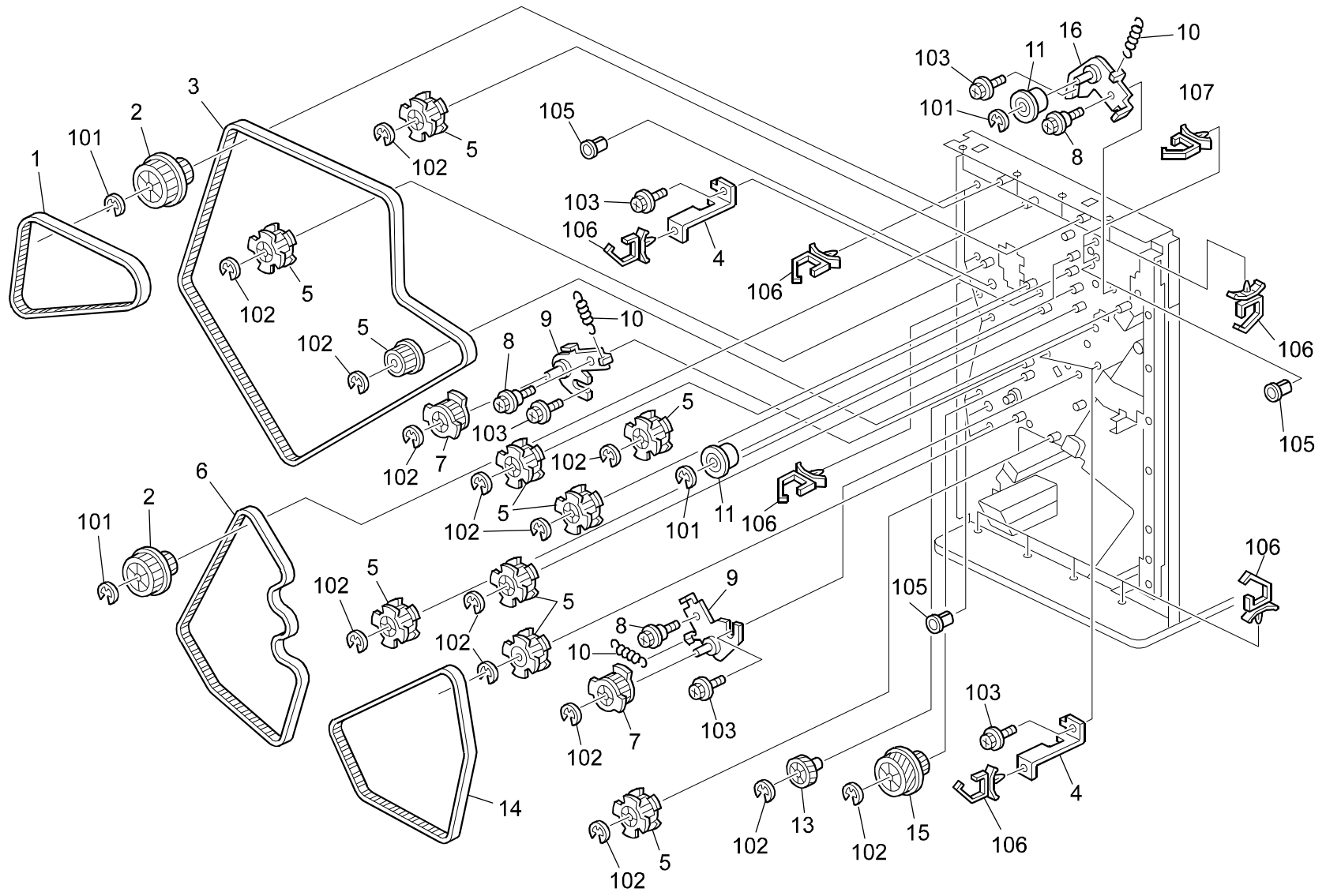


17.PAPER EXIT SECTION 4 (B706)

Index No.	Part No.	Description	Q'ty Per Assembly
1	AX05 0160	Stepper Motor - DC 20W	1
2	B478 5431	Harness:Motor:Return	1
3	B478 3586	Bracket:Stepper Motor:Transport	1
4	B478 3576	Bracket:Sensor:Paper Sensor	1
5	B478 3511	Cam:Gathering Roller:Drive	2
6	AW02 0086	Photointerruptor	2
7	B478 3572	Stay:Uniform	1
8	B478 3581	Bracket:Micro Switch	1
9	B478 5301	Harness:Shift Tray Section	1
10	B478 3582	Lever:Micro Switch	1
11	B478 3552	Feeler:Paper Sensor	1
12	B478 3553	Bracket:Feeler:Paper Sensor	1
13	B478 3562	Cam:Lever:Drive	1
14	B478 3563	Timing Belt:B40S2M110	1
15	B478 3565	Bracket:Stepper Motor	1
16	B468 5755	Stepper Motor - DC 12.4W	1
17	B478 3568	Bracket:Home Position Sensor	1
18	B478 3506	Lever:Drive:Gathering Roller:Front	1
19	B478 3524	Torsion Spring:Plate:Lever:Back	1
20	B478 3504	Timing Belt:B40S2M100	2
21	B478 3502	Pulley:Driven:Roller:Sponge	2
22	B478 3508	Lever:Driven:Gathering Roller:Front	1
23	B478 3510	Bracket:Coupling:Lever:Drive	1
24	B478 3525	Shaft:Gathering Roller:Drive:Ass'y	1
25	B478 3501	Pulley:Drive:Roller:Sponge	2
26	B478 3503	Gathering Roller:Sponge	2
27	B478 3507	Lever:Drive:Gathering Roller:Back	1
28	B478 3509	Lever:Driven:Gathering Roller:Back	1
29	B478 3523	Torsion Spring:Plate:Lever:Front	1
30	B478 3505	Timing Belt:B40S2M84	2
31	B478 3522	Gear:Z35	1
32	B478 3569	Spacer	1
33	5053 0447	Bushing - 6mm	1
34	B478 5440	Harness:Sensor:Return:Paper Sensor	1
35	B706 5345	Harness:Sensor:Return:Surface	1

Index No.	Part No.	Description	Q'ty Per Assembly
36	B478 3554	Guide:Feeler:Paper Sensor	1
101	0313 0040N	Philips Pan Head Screw - M3x4	
102	0451 3006N	Tapping Screw - M3x6	
103	1204 2544	Switch - DE2L-BJ23	
104	0720 0040E	Retaining Ring - M4	
105	0720 0060E	Retaining Ring - M6	
106	0805 0089	Retaining Ring - M4	
107	1105 0511	Harness Clamp - LWS-0306ZC	
108	1105 0488	Harness Clamp	
109	1105 0328	Harness Clamp - ES-0505	

18.DRIVE SECTION (B706)

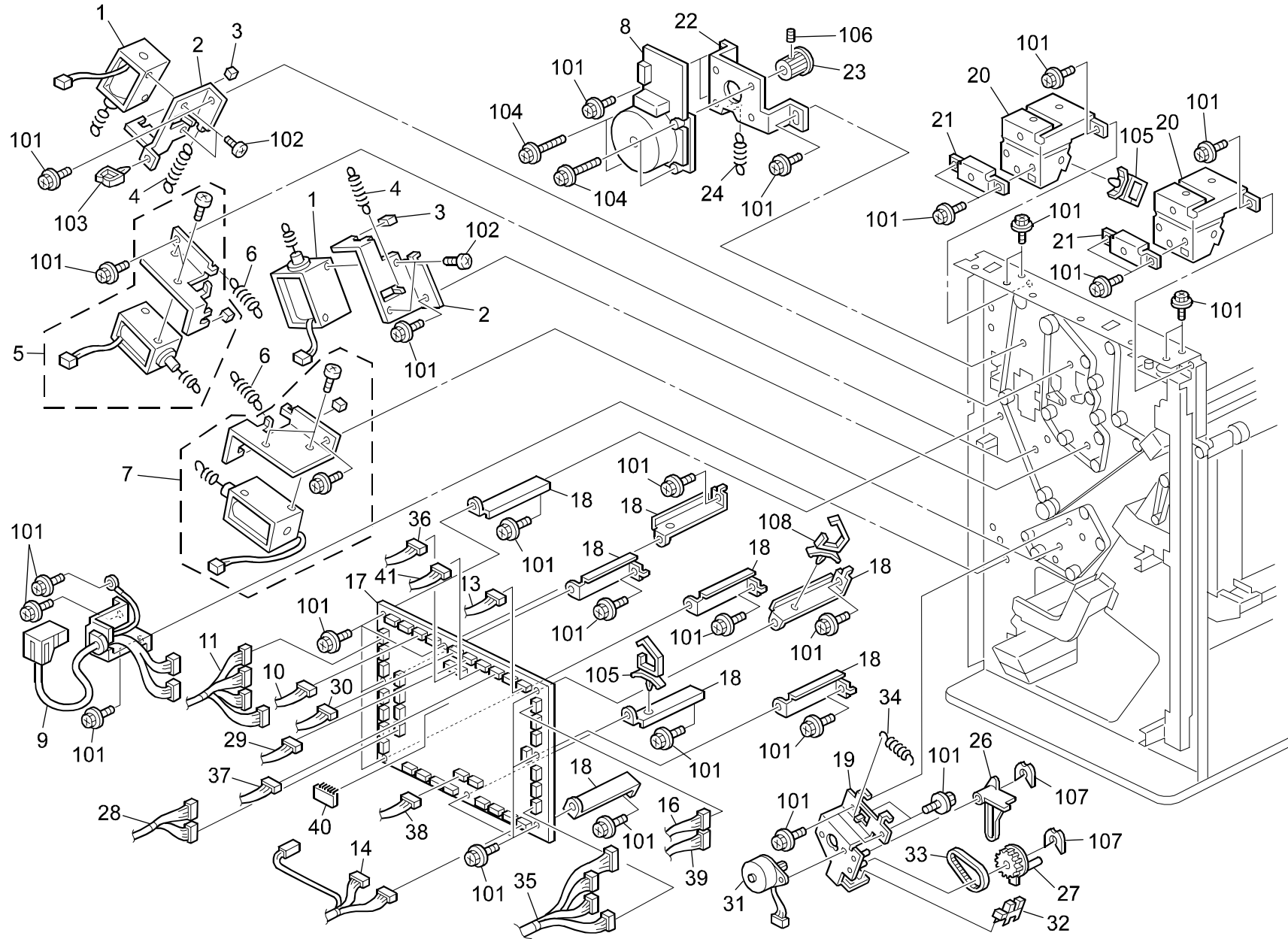


18.DRIVE SECTION (B706)

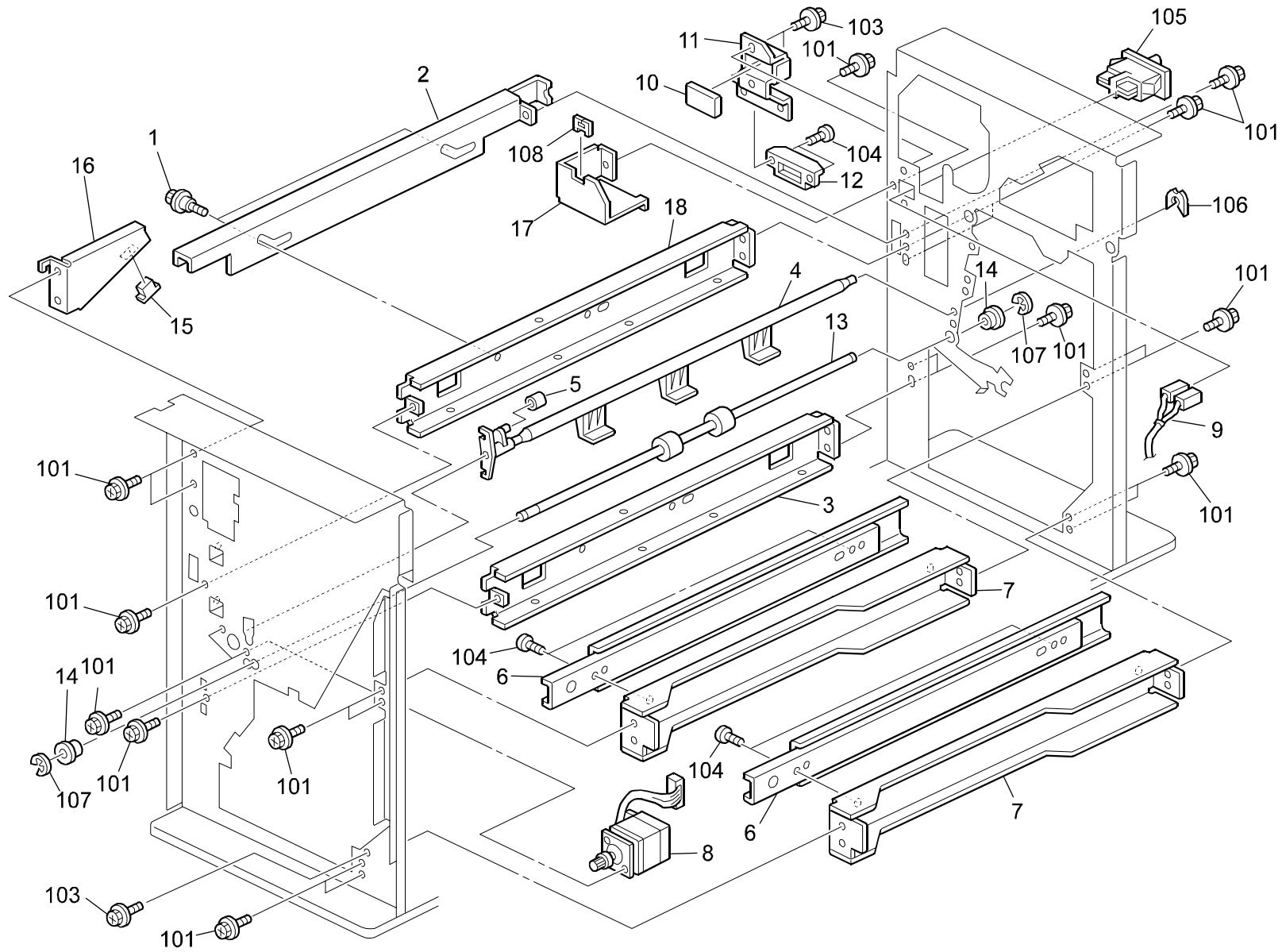
Index No.	Part No.	Description	Q'ty Per Assembly
1	AA04 3301	Timing Belt - 402P3M6	1
2	B302 1516	Timing Pulley - 18Z/33Z	2
3	AA04 3302	Timing Belt - B60S3M1221	1
4	A300 3151	Support Bracket	4
5	AB03 0374	Timing Pulley - 20Z	10
6	AA04 3303	Timing Belt - 693P3M6	1
7	B302 1542	Timing Pulley - 20Z	2
8	A697 1125	Stepped Screw - Lever	3
9	B302 1545	Tightener	2
10	5442 4121	Spring - Oil Blade	3
11	A458 3281	Idler Roller	2
12	B302 1517	Timing Pulley - 20Z	1
13	B302 1523	Gear - 33Z	1
14	AA04 3304	Timing Belt - 633P3M6	1
15	B302 1522	Gear & Pulley - 30Z/20Z	1
16	A566 2115	Tightner Bracket	1

Index No.	Part No.	Description	Q'ty Per Assembly
101	0720 0060E	Retaining Ring - M6	
102	0720 0040E	Retaining Ring - M4	
103	0451 3006N	Tapping Screw - M3x6	
104	1105 0199	Clamp	
105	1106 0411	Bushing - 11.5mm	
106	1105 0310	Harness Clamp - LWS-1S	
107	1105 0516	Clamp	

19.ELECTRICAL SECTION (B706)



20.FRAME SECTION 1 (B706)

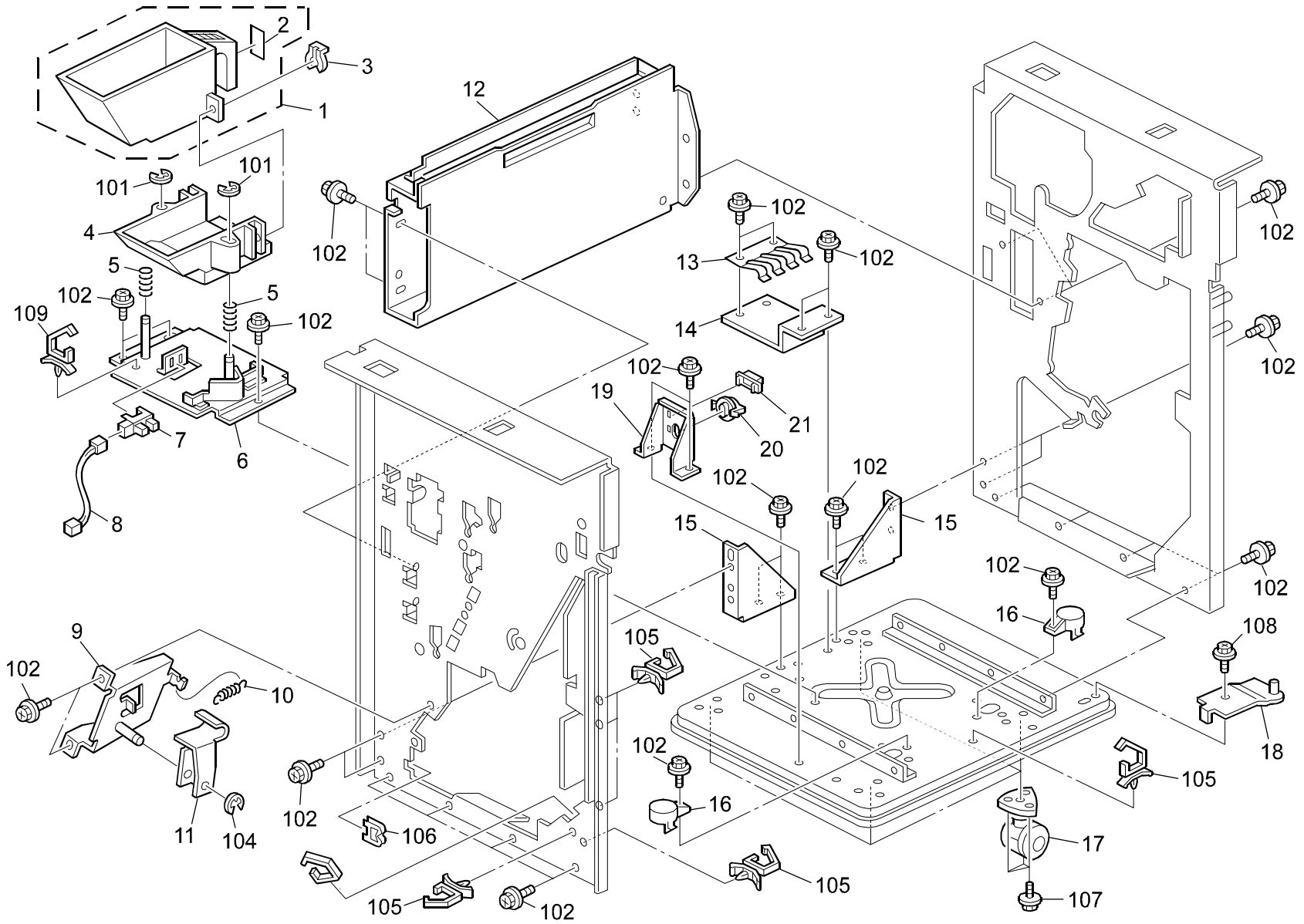


20.FRAME SECTION 1 (B706)

Index No.	Part No.	Description	Q'ty Per Assembly
1	A697 1125	Stepped Screw - Lever	2
2	A697 1128	Joint Lever	1
3	B408 1413	Coupling Stay	1
4	B302 2816	Paper Stopper	1
5	A458 2251	Cushion - Bin Solenoid Lever	1
6	A697 1120	Slide Rail	2
7	B302 1152	Stay	2
8	AX05 0149	Stepped Motor - DC 6.9W	1
9	B478 5210	Harness:Door Switch	1
10	A377 1662	Door Switch Actuator	1
11	A377 1661	Door Switch Cover	1
12	AG07 0004	Magnetic Catch	1
13	AF02 0501	Transport Roller	1
14	A859 2230	Ball Bearing - 6x13x5	2
15	A680 1181	Magnetic Catch	1
16	B478 1122	Bracket:Stay	1
17	B478 1137	Cover:Safety Switch	1
18	A697 1100	Right Stay	1

Index No.	Part No.	Description	Q'ty Per Assembly
101	0451 3006N	Tapping Screw - M3x6	
102	1105 0199	Clamp	
103	0451 4006N	Tapping Screw - 4x6	
104	0453 3006N	Tapping Screw - M3x6	
105	1204 2384	Interlock Switch	
106	0805 0089	Retaining Ring - M4	
107	0720 0040E	Retaining Ring - M4	
108	1105 0328	Harness Clamp - ES-0505	

21.FRAME SECTION 2 (B706)

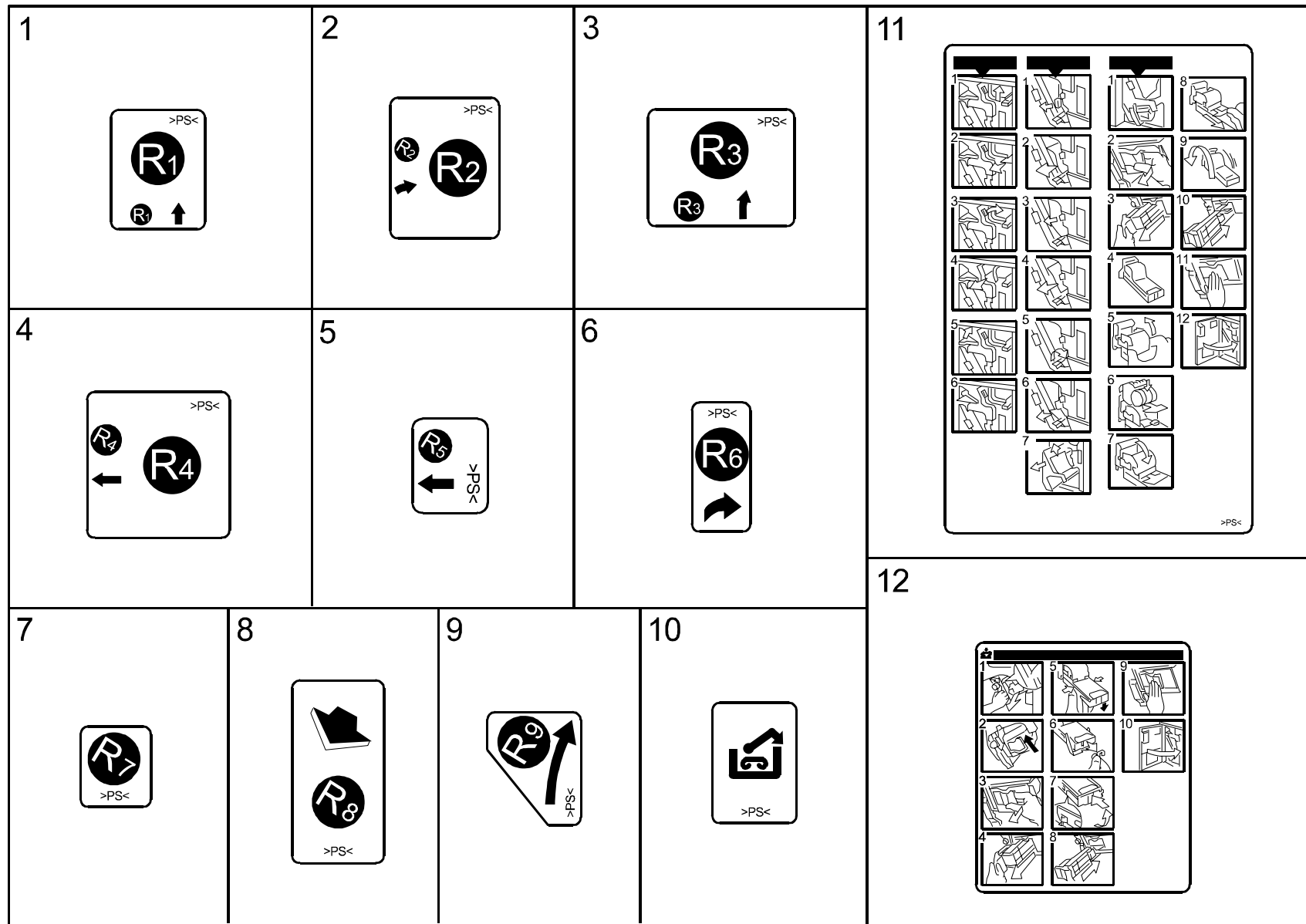


21.FRAME SECTION 2 (B706)

Index No.	Part No.	Description	Q'ty Per Assembly
1	B302 7010	Staple Hopper	1
2	B302 7710	Staple Hopper Decal	1
3	5215 2621	Snap Ring - M6	1
4	B302 1173	Staple Hopper Holder	1
5	B302 1179	Pressure Spring - 12x42mm	2
6	B302 1174	Base Plate - Staple Hopper Holder	1
7	AW02 0086	Photointerruptor	1
8	B478 5320	Harness:Duplex Stack:Connecting	1
9	B302 1188	Bracket - Staple Waste Holder Lever	1
10	B302 1189	Spring - 6x39mm	1
11	B302 1184	Lever - Staple Waste Holder	1
12	A697 1151	Hopper Bracket	1
13	B302 1163	Grounding Plate	1
14	B302 1164	Grounding Plate Bracket	1
15	B478 1134	Supporting Plate:Frame	2
	B302 1124	x/o MB6	
16	A697 1117	Base Plate Cap	2
17	AH01 2019	Caster	4
18	B302 6154	Hinge:Door:Lower:Ass'y	1
19	B478 1172	Bracket:Coupling:Lower	1
20	B478 1173	Holder:Coupling:Lower	1
21	AG07 1010	Magnet Catch	1

Index No.	Part No.	Description	Q'ty Per Assembly
101	0720 0080E	Retaining Ring - M8	
102	0451 3006N	Tapping Screw - M3x6	
103	1105 0199	Clamp	
104	0720 0040E	Retaining Ring - M4	
105	1105 0310	Harness Clamp - LWS-1S	
106	1105 0328	Harness Clamp - ES-0505	
107	0451 4008N	Philips Tapping Screw - M4x8	
108	0451 3008N	Tapping Screw - M3x8	
109	1105 0511	Harness Clamp - LWS-0306ZC	

22.DECAL AND DOCUMENT (B706)



22.DECAL AND DOCUMENT (B706)

Index No.	Part No.	Description	Q'ty Per Assembly
1	B302 7701	Decal - R1	1
2	B302 7702	Decal - R2	1
3	B302 7703	Decal - R3	1
4	B302 7704	Decal - R4	1
5	B302 7705	Decal - R5	1
6	B302 7706	Decal - R6	1
7	B312 5715	Decal - R7	1
8	B302 7708	Decal - R8	1
9	B302 7709	Decal - R9	1
10	B302 7710	Staple Hopper Decal	1
11	B706 7721	Decal Misfeed Removal - Paper	1
	B478 7721	x/o MB3	
12	B478 7722	Decal: Misfeed Removal: Stapler	1

Index No.	Part No.	Description	Q'ty Per Assembly

Parts Index

Parts Index

Part No.	Description	Page and Index No.
B706 1143	Bracket:Sensor:Paper	35 - 1
B706 1145	Lever:Sensor:Upper	35 - 11
B706 2246	Bracket:Photo Refiection Sensor:Overflow	29 - 16
B706 2249	Cover:Sensor	29 - 17
B706 2361	Guide:Discharge (exit):Leading Edge	25 - 17
B706 2521	Guide Plate:Exit	25 - 18
B706 3172	Actuator Bracket	35 - 10
B706 4511	Standard Fence:Front:Ass'y	15 - 4
B706 4521	Standard Fence:Rear:Ass'y	15 - 5
B706 4526	Bracket:Pawl:Stopper	9 - 32
B706 4531	Standard Fence:Rear:Auxiliary:Ass'y	15 - 8
B706 4611	Jogger Fence:Front:Ass'y	13 - 12
B706 4619	Bracket:Motor:Pawl:Stopper	9 - 12
B706 4625	Jogger Fence:Rear:Ass'y	13 - 19
B706 4631	Guide:Jogger Fence:Front MB5 ADDED	13 - 24
B706 4721	Guide Plate:Stapler Tray:Small	13 - 15
B706 4831	Pawl:Stopper	9 - 20
B706 4841	Stay:Pawl:Stopper	9 - 17
B706 4842	Bracket:Rear	9 - 1
B706 4843	Bracket:Front	9 - 25
B706 4851	Inner Cover:Pawl:Stopper	9 - 18
B706 4940	Base:Standard Fence:Moveable:Ass'y	15 - 11
B706 4943	Bracket:Sensor:Stapler Tray	15 - 27
B706 4951	Standard Fence:Moveable	15 - 28
B706 4952	Shaft:Guide:Standard Fence:Moveable	15 - 29
B706 4970	Bracket:Motor:Standard Fence:Moveab	15 - 30
B706 4981	Bracket:Shaft:Standard Fence	15 - 9
B706 5100	x/o MB9	43 - 17
B706 5102	x/o MB9	43 - 40
B706 5107	EPROM:Main Control	43 - 40
B706 5132	PCB:Main Control	43 - 17
B706 5230	Harness:Sensor:Main:Entrance Sensor	43 - 11
B706 5280	Harness:Sensor:Paper Exit	35 - 3
B706 5290	Harness:Sensor:Shift Tray	43 - 41
B706 5345	Harness:Sensor:Return:Surface	39 - 35

Part No.	Description	Page and Index No.
B706 5390	Harness:Sensor:Stapler Tray:Connecting	15 - 16
B706 5700	x/o MB9	43 - 13
B706 5703	Harness:Sensor:Motor	43 - 13
B706 5710	Harness:Home Position Sensor:Connecting	9 - 31
B706 5720	Harness:Motor:Connecting	9 - 30
B706 5730	Harness:Sensor:Proof Tray:Connecting	29 - 15
B706 7007	Grip:Stuni:Ass'y	9 - 26
B706 7020	Cover:Front:Sub-ass'y	7 - 15
B706 7621	Tray:Auxiliary:Proof Tray MB4 ADDED	7 - 38
B706 7631	Tray:Auxiliary:Shift Tray MB4 ADDED	7 - 39
B706 7721	Decal Misfeed Removal -Paper	7 - 17
B706 7721	Decal Misfeed Removal - Paper	51 - 11

Part No.	Description	Page and Index No.
A077 4162	Shoulder Screw - M3	7 - 21
A300 2736	Worm Gear	33 - 10
A300 3151	Support Bracket	41 - 4
A300 3634	Spring Plate - Timing Belt	13 - 3
A300 3759	Spring	15 - 2
A353 3113	Pressure Spring	33 - 6
A353 3173	Pressure Spring	35 - 12
A353 3271	Tray Shift Shaft	35 - 18
A353 3272	Guide Roller	35 - 20
A353 3354	Driven Roller Holder	31 - 16
A353 3361	Exit Guide Bracket	31 - 9
A376 3153	Lower Driven Roller	27 - 3
A377 1661	Door Switch Cover	45 - 11
A377 1662	Door Switch Actuator	45 - 10
A377 4741	Roller - M14	19 - 8
A379 1711	Motor Bracket	33 - 21
A379 2215	Exit Mylar	31 - 18
A379 2523	Exit Guide Mylar	25 - 19
A379 3316	Shift Guide Roller	35 - 16
A458 2251	Cushion - Bin Solenoid Lever	23 - 2
A458 2251	Cushion - Bin Solenoid Lever	21 - 9
A458 2251	Cushion - Bin Solenoid Lever	45 - 5
A458 3281	Idler Roller	41 - 11
A566 2115	Tightner Bracket	41 - 16
A606 1595	Small Door Cover	7 - 18
A663 2113	Cushion - Stepping Motor	33 - 22
A666 3180	Timing Pulley - Z32	15 - 13
A666 3220	Tightener - Timing Belt	13 - 10
A680 1181	Magnetic Catch	23 - 12
A680 1181	Magnetic Catch	45 - 15
A680 1181	Magnetic Catch	25 - 7
A697 1100	Right Stay	45 - 18
A697 1117	Base Plate Cap	47 - 16
A697 1120	Slide Rail	45 - 6
A697 1125	Stepped Screw - Lever	45 - 1

Part No.	Description	Page and Index No.
A697 1125	Stepped Screw - Lever	17 - 17
A697 1125	Stepped Screw - Lever	13 - 6
A697 1125	Stepped Screw - Lever	41 - 8
A697 1128	Joint Lever	45 - 2
A697 1131	Middle Stay	21 - 7
A697 1151	Hopper Bracket	47 - 12
A697 2102	Damper - Junction Gate Solenoid	43 - 3
A697 2131	Antistatic Brush	37 - 17
A697 2131	Antistatic Brush	27 - 9
A697 2131	Antistatic Brush	31 - 7
A697 2132	Joint - Brush Roller	27 - 31
A697 2138	Brush Roller	27 - 30
A697 2160	Guide Plate - Punch Unit	21 - 6
A697 2175	Upper Exit Guide	31 - 20
A697 2250	Lower Relay Guide	21 - 2
A697 2251	Upper Relay Guide	21 - 1
A697 2260	Pulley - 17T	27 - 20
A697 2260	Pulley - 17T	35 - 5
A697 2260	Pulley - 17T	15 - 26
A697 3109	End Fence Cover	37 - 18
A697 3120	Shift Tray Base	35 - 17
A697 3126	Holder:Shift Tray	35 - 24
A697 3130	Lift Motor Bracket	33 - 3
A697 3135	Gear - 18Z	33 - 8
A697 3140	Gear - 30Z	33 - 7
A697 3145	Gear - 36Z/18Z	33 - 5
A697 3150	Fixing Plate - Timing Belt	33 - 17
A697 3155	Timing Belt - B60S5M1420	33 - 11
A697 3161	Bracket:Sensor:Paper Volume Sensor	33 - 25
A697 3165	Tray Drive Shaft	33 - 15
A697 3170	Gear - 42Z	33 - 13
A697 3175	Spacer - 10x14x13.5mm	33 - 16
A697 3180	Pulley - 18T	33 - 12
A697 3185	Pulley - 18T	33 - 19
A697 3190	Tightener	33 - 18

Part No.	Description	Page and Index No.
A697 3195	Worm Wheel	37 - 8
A697 3205	Shift Sensor Bracket	37 - 13
A697 3225	Worm Wheel Shaft	33 - 1
A697 4150	Stepped Screw - M5	19 - 5
A859 2230	Ball Bearing - 6x13x5	45 - 14
A859 2230	Ball Bearing - 6x13x5	29 - 21
A859 2230	Ball Bearing - 6x13x5	21 - 13
A859 2230	Ball Bearing - 6x13x5	35 - 4
A859 2230	Ball Bearing - 6x13x5	25 - 23
A859 2230	Ball Bearing - 6x13x5	27 - 18
B039 1321	Operatin Instructions Holder MB4 ADDED	7 - 37
B302 1124	x/o MB6	47 - 15
B302 1133	Upper Exit Tray	29 - 20
B302 1134	Lever Stay	29 - 24
B302 1146	Bracket - Exit Guide Plate Motor	35 - 7
B302 1147	Guide Pulley - Exit Guide Plate	35 - 9
B302 1148	Bracket - Exit Guide Plate Sensor	35 - 8
B302 1152	Stay	45 - 7
B302 1163	Grounding Plate	47 - 13
B302 1164	Grounding Plate Bracket	47 - 14
B302 1173	Staple Hopper Holder	47 - 4
B302 1174	Base Plate - Staple Hopper Holder	47 - 6
B302 1179	Pressure Spring - 12x42mm	47 - 5
B302 1184	Lever - Staple Waste Holder	47 - 11
B302 1188	Bracket - Staple Waste Holder Lever	47 - 9
B302 1189	Spring - 6x39mm	47 - 10
B302 1194	x/o MB6	33 - 9
B302 1516	Timing Pulley - 18Z/33Z	41 - 2
B302 1517	Timing Pulley - 20Z	41 - 12
B302 1518	Bracket - Upper Transport Motor	43 - 22
B302 1522	Gear & Pulley - 30Z/20Z	41 - 15
B302 1523	Gear - 33Z	41 - 13
B302 1542	Timing Pulley - 20Z	41 - 7
B302 1545	Tightener	41 - 9
B302 2115	Positioning Roller Drive Shaft	27 - 24

Part No.	Description	Page and Index No.
B302 2124	Bracket:Gathering Roller	27 - 17
B302 2202	Exit Roller - Upper Tray	29 - 13
B302 2216	Exit Guide - Upper Exit Guide	29 - 8
B302 2217	Entrance Guide - Upper Exit Guide	29 - 10
B302 2218	Upper Exit Guide - Upper Tray	29 - 7
B302 2224	Pressure Spring - 5.5x18mm	23 - 5
B302 2230	Left Guide - Upper Tray	29 - 12
B302 2237	Exit Sensor Bracket - Upper Tray	29 - 3
B302 2243	Upper End Fence - Upper Tray	29 - 18
B302 2253	Lower End Fence - Upper Tray	29 - 19
B302 2293	Guide Holder Shaft	31 - 4
B302 2294	Guide Holder Tension Spring	31 - 5
B302 2295	Guide Holder Film	31 - 12
B302 2296	Guide Holder Cushion	23 - 10
B302 2297	Guide Holder Bracket	31 - 3
B302 2298	Guide Holder Lever	31 - 6
B302 2302	Front & Rear Exit Roller	35 - 14
B302 2305	Middle Exit Roller	35 - 13
B302 2311	Exit Roller Shaft	35 - 15
B302 2323	Antistatic Brush - 320mm	31 - 15
B302 2326	Link - Upper Exit Guide	31 - 8
B302 2328	Exit Guide Shift Spring	31 - 11
B302 2329	Exit Guige Bracket	31 - 10
B302 2342	Lower Guide - Shift Tray	25 - 20
B302 2347	Turn Guide	21 - 11
B302 2352	Support Plate	25 - 11
B302 2352	Support Plate	23 - 9
B302 2354	Entrance Sensor Bracket	21 - 3
B302 2363	Guide Plate:Entrance:Lower	21 - 5
B302 2410	Exit Roller - Staple Tray	27 - 8
B302 2411	Exit Roller:Lower:Sub-ass'y	27 - 33
B302 2413	Brush Roller	27 - 32
B302 2416	Exit Sensor Bracket - Staple Tray	27 - 7
B302 2428	Driven Roller Holder	27 - 2
B302 2429	Pressure Spring - 6x18mm	27 - 1

Part No.	Description	Page and Index No.
B302 2437	Right Guide - Vertical Transport	27 - 4
B302 2442	Cover - Stack Tray Paper Sensor	25 - 1
B302 2459	Spring - 5x39mm	27 - 13
B302 2461	Transport Roller	27 - 19
B302 2513	Support Plate - Exit Gate	23 - 4
B302 2514	Exit Junction Gate	23 - 3
B302 2516	DC Solenoid:Polarization Powl:Proof	43 - 1
B302 2517	Bracket - Exit Gate Solenoid	43 - 25
B302 2521	Spring - 4x51mm	43 - 4
B302 2611	Stapler Junction Gate	23 - 1
B302 2617	Bracket - Stapler Gate Solenoid	43 - 2
B302 2710	Pre-stack Gate Solenoid	43 - 5
B302 2716	Gate Pawl:Lengthwise	21 - 10
B302 2810	Paper Stopper Solenoid	43 - 7
B302 2816	Paper Stopper	45 - 4
B302 3212	Shift Motor Bracket	37 - 10
B302 3215	Worm Pulley - 29z	37 - 6
B302 3220	Timing Belt - B40S2M124	37 - 7
B302 4112	Bushing - 6mm	11 - 19
B302 4113	Bushing - 6x9mm	11 - 18
B302 4115	Stack Plate	11 - 21
B302 4141	Stack Plate Wheel	11 - 16
B302 4142	Stack Plate Guide	11 - 17
B302 4151	Stack Plate Shaft	11 - 9
B302 4153	Spring - 3x29mm	11 - 20
B302 4155	Timing Belt - 153P3M6	11 - 3
B302 4155	Timing Belt - 153P3M6	11 - 15
B302 4155	Timing Belt - 153P3M6	43 - 33
B302 4214	Stapler Bracket	19 - 9
B302 4215	Front Stapler Cover	19 - 13
B302 4216	Stapler Harness Cover	19 - 14
B302 4217	Rear Stapler Cover	19 - 10
B302 4218	2nd Holder - Stapler Unit	19 - 6
B302 4229	Sensor Actuator	19 - 2
B302 4238	Slide Guide	19 - 4

Part No.	Description	Page and Index No.
B302 4239	Guide Roller	15 - 7
B302 4239	Guide Roller	19 - 1
B302 4247	Slider Hook	19 - 7
B302 4248	Holder: Middle: Stapler: Ass'y	19 - 3
B302 4258	Stay: Stapler: Ass'y	17 - 3
B302 4266	Guide Rail - Stapler Unit	17 - 29
B302 4267	Spring - 10x59mm	19 - 15
B302 4269	Spring - 12x64mm	17 - 25
B302 4270	Return Arm - Stapler Unit	17 - 26
B302 4271	Drive Cam - Stapler Unit	17 - 11
B302 4272	Worm Gear - Z1	17 - 24
B302 4273	Stapler Unit Knob	11 - 2
B302 4274	Worm Gear Shaft	17 - 20
B302 4284	Bracket - Return Support Solenoid	17 - 30
B302 4285	Return Support Lever	17 - 33
B302 4286	Spring - 4.4x24mm	17 - 32
B302 4287	Spring - 5.5x17mm	17 - 19
B302 4292	Belt Holder	17 - 9
B302 4297	Bracket:Sensor:Return	17 - 28
B302 4312	x/o MB6	17 - 18
B302 4421	Timing Belt - 293P3M6	15 - 17
B302 4423	Timing Pulley - 15Z	15 - 23
B302 4517	Mylar Guide	15 - 6
B302 4541	Front Shaft - Slide Holder	15 - 10
B302 4542	Rear Shaft - Slide Holder	15 - 21
B302 4611	x/o MB5	13 - 12
B302 4617	Jogger Fence Slider	13 - 16
B302 4619	Jogger Fence Shaft	13 - 17
B302 4629	Guide Mylar	13 - 13
B302 4712	x/o MB6	13 - 14
B302 4717	Upper Exit Shaft	15 - 20
B302 4727	Bracket - Feed - Out Belt Sensor	15 - 14
B302 4731	Lower Exit Shaft	15 - 19
B302 4738	Stay:Stapler:Upper	13 - 20
B302 4749	x/o MB6	13 - 9

Part No.	Description	Page and Index No.
B302 4752	Jogger Motor Bracket	13 - 2
B302 4756	Timing Belt - 753P3M6	17 - 7
B302 4756	Timing Belt - 753P3M6	13 - 4
B302 4770	Exit Belt:Ass'y	15 - 12
B302 4776	Guide Mylar - 17x60	13 - 23
B302 4813	Stay:Middle:Slide Rail	17 - 1
B302 6115	Tray Stopper	7 - 3
B302 6116	Cover Cushion	7 - 25
B302 6135	Spring - 23x44mm	7 - 26
B302 6154	Hinge:Door:Lower:Ass'y	47 - 18
B302 6157	Upper Hinge - Front Door	7 - 20
B302 6161	Magnet Catch Plate	7 - 19
B302 6413	Front Left Stay	31 - 21
B302 6414	Upper Cover Stay	31 - 2
B302 6513	Rear Upper Stay	43 - 20
B302 6514	Bracket - Rear Upper Stay	43 - 21
B302 6612	x/o MB6	7 - 14
B302 6651	x/o MB6	11 - 1
B302 7001	Upper Entrance Guide	25 - 15
B302 7004	Left Guide - Vertical Transport	25 - 8
B302 7005	Middle Guide - Vertical Transport	25 - 4
B302 7008	Cover - Stapler Unit Drive	11 - 4
B302 7010	Staple Hopper	47 - 1
B302 7013	Upper Guide - Shift Tray	23 - 15
B302 7014	Guide Plate:Proof Tray:Ass'y	23 - 13
B302 7026	Guide Plate:Lower:Open And Close	27 - 11
B302 7531	Cushion -10x15x585	7 - 24
B302 7701	Decal - R1	51 - 1
B302 7701	Decal - R1	25 - 16
B302 7702	Decal - R2	51 - 2
B302 7702	Decal - R2	23 - 14
B302 7703	Decal - R3	51 - 3
B302 7703	Decal - R3	23 - 6
B302 7704	Decal - R4	25 - 9
B302 7704	Decal - R4	51 - 4

Part No.	Description	Page and Index No.
B302 7705	Decal - R5	51 - 5
B302 7705	Decal - R5	25 - 6
B302 7706	Decal - R6	51 - 6
B302 7706	Decal - R6	27 - 12
B302 7708	Decal - R8	11 - 6
B302 7708	Decal - R8	51 - 8
B302 7709	Decal - R9	51 - 9
B302 7709	Decal - R9	11 - 5
B302 7710	Staple Hopper Decal	47 - 2
B302 7710	Staple Hopper Decal	51 - 10
B312 4140	Stepping Motor - DC 16.1W	9 - 13
B312 5715	Decal - R7	11 - 8
B312 5715	Decal - R7	51 - 7
B408 1413	Coupling Stay	45 - 3
B408 1413	Coupling Stay	31 - 1
B408 5540	Main Board Bracket	43 - 18
B468 1618	Connector Cover	7 - 29
B468 4766	Tightener	17 - 16
B468 4766	Tightener	13 - 8
B468 5755	Stepper Motor - DC 12.4W	39 - 16
B468 5780	Stepper Motor - DC 20.4w	15 - 37
B478 1122	Bracket:Stay	45 - 16
B478 1123	Bracket:Connector	29 - 5
B478 1129	Cover:Connector	29 - 23
B478 1134	Supporting Plate:Frame	47 - 15
B478 1137	Cover:Safety Switch	45 - 17
B478 1141	x/o MB6	7 - 22
B478 1143	Bracket:Coupling:Ground Plate:Front	7 - 22
B478 1145	Bracket:Coupling:Ground Plate:Rear	7 - 23
B478 1172	Bracket:Coupling:Lower	47 - 19
B478 1173	Holder:Coupling:Lower	47 - 20
B478 1192	Bracket:Coupling:Upper	33 - 9
B478 1193	Holder:Coupling:Upper	33 - 27
B478 1533	Heat Sink:Drive:Exit Roller	33 - 28
B478 2111	Positioning Roller Arm	27 - 23

Part No.	Description	Page and Index No.
B478 2116	Reverse Roller - Stapler Tray	27 - 25
B478 2123	Guide:Bracket:Gathering Roller	27 - 29
B478 2127	Tension Spring:Gathering Roller	27 - 21
B478 2131	Bracket:Stepper Motor:Ass'y	43 - 19
B478 2136	Lever:Gathering Roller	43 - 26
B478 2137	Cam:Lever:Gathering Roller	43 - 27
B478 2142	Tension Spring:Return:Lever	43 - 34
B478 2231	Roller:Exit:Auxiliary:Ass'y	29 - 11
B478 2324	Exit Roller Shaft	31 - 19
B478 2328	Exit Roller:Driven	31 - 17
B478 2332	Spring Plate:Shift:Exit	35 - 23
B478 2333	Guide Plate:Exit:Lower:Sub-ass'y	35 - 22
B478 2452	Guide:Open And Close	27 - 34
B478 3031	Shift Tray:RIC	7 - 10
B478 3032	Tray:Slide	7 - 9
B478 3035	Guide:Micro Switch:Shift Tray	7 - 34
B478 3100	Exit Roller Cover	37 - 4
B478 3101	Spacer:Gathering Roller:Shift Tray	37 - 22
B478 3107	End Fence:Ass'y	37 - 16
B478 3110	Side Plate:Shift Tray:Front:Ass'y	35 - 21
B478 3113	Shift Tray Guide Holder	35 - 26
B478 3115	Side Plate:Shift Tray:Back	35 - 25
B478 3121	Exit Stay	37 - 15
B478 3200	Shaft:Shift:Slide	37 - 9
B478 3501	Pulley:Drive:Roller:Sponge	39 - 25
B478 3502	Pulley:Driven:Roller:Sponge	39 - 21
B478 3503	Gathering Roller:Sponge	39 - 26
B478 3504	Timing Belt:B40S2M100	39 - 20
B478 3505	Timing Belt:B40S2M84	39 - 30
B478 3506	Lever:Drive:Gathering Roller:Front	39 - 18
B478 3507	Lever:Drive:Gathering Roller:Back	39 - 27
B478 3508	Lever:Driven:Gathering Roller:Front	39 - 22
B478 3509	Lever:Driven:Gathering Roller:Back	39 - 28
B478 3510	Bracket:Coupling:Lever:Drive	39 - 23
B478 3511	Cam:Gathering Roller:Drive	39 - 5

Part No.	Description	Page and Index No.
B478 3522	Gear:Z35	39 - 31
B478 3523	Torsion Spring:Plate:Lever:Front	39 - 29
B478 3524	Torsion Spring:Plate:Lever:Back	39 - 19
B478 3525	Shaft:Gathering Roller:Drive:Ass'y	39 - 24
B478 3552	Feeler:Paper Senser	39 - 11
B478 3553	Bracket:Feeler:Paper Senser	39 - 12
B478 3554	Guide:Feeler:Paper Senser	39 - 36
B478 3562	Cam:Lever:Drive	39 - 13
B478 3563	Timing Belt:B40S2M110	39 - 14
B478 3565	Bracket:Stepper Motor	39 - 15
B478 3568	Bracket:Home Position Sensor	39 - 17
B478 3569	Spacer	39 - 32
B478 3572	Stay:Uniform	39 - 7
B478 3576	Bracket:Sensor:Paper Senser	39 - 4
B478 3581	Bracket:Micro Switch	39 - 8
B478 3582	Lever:Micro Switch	39 - 10
B478 3586	Bracket:Stepper Motor:Transport	39 - 3
B478 4111	Stay:Swing Unit:Ass'y	11 - 12
B478 4132	Slider:Vibrating Plate	11 - 10
B478 4133	Vibrating Plate:Paper:Both Ends	11 - 22
B478 4134	Compression Spring:Plate:Moveable	11 - 23
B478 4135	Timing Pulley:18t	11 - 25
B478 4136	Timing Belt:B40S2M204	11 - 26
B478 4137	Shaft:Vibrating Plate:Both Ends	11 - 24
B478 4142	Cover:Vibrating Plate	11 - 14
B478 4219	Guide:Stapler:Entrance	19 - 11
B478 4255	Guide Rod:Stapler	17 - 2
B478 4256	Timing Pulley:20T-30T	17 - 6
B478 4257	Tension Spring:Tightener	17 - 14
B478 4259	Timing Belt:171P3M6	17 - 5
B478 4261	Slider:Base:Stapler:Ass'y	17 - 23
B478 4271	Ball Bearing:Slide:Ass'y	17 - 8
B478 4277	Guide:Harness:Stapler	17 - 34
B478 4291	Bracket:Stay:Timing Belt	17 - 21
B478 4311	Side Plate:Front:Stapler	17 - 18

Part No.	Description	Page and Index No.
B478 4411	x/o MB6	17 - 4
B478 4412	Side Plate:Rear:Stapler:Ass'y	17 - 4
B478 4515	Slider:Standard Fence:Ass'y	15 - 1
B478 4525	Slider:Standard Fence:Rear:Ass'y	15 - 18
B478 4527	Guide:Paper:Inner Back	15 - 39
B478 4531	x/o MB7	15 - 8
B478 4535	Slider:Standard Fence:Auxiliary	15 - 24
B478 4538	Bushing:Standard Fence	15 - 3
B478 4712	Guide Plate:Stapler Tray	13 - 14
B478 4749	Stay:Stapler:Middle	13 - 9
B478 4911	Arm:Swing Unit	17 - 10
B478 5201	Harness:Interface:Ass'y	43 - 9
B478 5210	Harness:Door Switch	45 - 9
B478 5210	Harness:Door Switch	43 - 37
B478 5220	x/o MB8	43 - 36
B478 5221	Harness:Motor:Shift Tray	43 - 36
B478 5241	Harness:Entrance Sensor:Connecting	21 - 8
B478 5250	Harness:Proof Tray:Connecting	29 - 2
B478 5271	Harness:Paper Feed Sensor:Shift	31 - 13
B478 5295	Harness:Shift Tray:Connecting	37 - 21
B478 5295	Harness:Shift Tray:Connecting	43 - 16
B478 5301	Harness:Shift Tray Section	39 - 9
B478 5301	Harness:Shift Tray Section	37 - 20
B478 5301	Harness:Shift Tray Section	37 - 1
B478 5310	Harness:Paper Exit:Stapler Tray	43 - 15
B478 5310	Harness:Paper Exit:Stapler Tray	43 - 38
B478 5320	Harness:Duplex Stack:Connecting	47 - 8
B478 5320	Harness:Duplex Stack:Connecting	25 - 2
B478 5335	Harness:Motor:Return:Connecting	43 - 39
B478 5335	Harness:Motor:Return:Connecting	43 - 12
B478 5350	Harness:Stapler Tray:Connecting	27 - 6
B478 5360	Harness:Home Position:Stapler Tray	13 - 22
B478 5371	Harness:Motor:Stapler Tray	43 - 35
B478 5371	x/o MB9	43 - 35
B478 5372	Harness:Motor:Stapler Tray	43 - 35

Part No.	Description	Page and Index No.
B478 5380	Harness:Solenoid:Exchange Powl	43 - 10
B478 5380	Harness:Solenoid:Exchange Powl	15 - 25
B478 5400	Harness:Stapler	43 - 14
B478 5431	Harness:Motor:Return	39 - 2
B478 5440	Harness:Sensor:Return:Paper Sensor	39 - 34
B478 5440	Harness:Sensor:Return:Paper Sensor	37 - 12
B478 5450	Harness:Interface:Option	43 - 28
B478 5466	x/o MB8	43 - 29
B478 5467	Harness:Motor Control:Shift:Jogger	43 - 29
B478 5481	Harness - Stop Switch	43 - 30
B478 5485	Harness:Switch:Stop:Connecting	7 - 32
B478 5600	Pcb:Switch:Stop	7 - 33
B478 6120	Cover:Upper:Sub-Ass'y	7 - 27
B478 6131	Tray:Cover:Upper	7 - 2
B478 6141	Tray:Slide	7 - 4
B478 6211	Cover:Rear	7 - 1
B478 6251	Lever:Slide	7 - 6
B478 6261	Cover:Left Upper	7 - 7
B478 6262	Cover:Cover:Left Upper	7 - 30
B478 6264	Keytop:Printing	7 - 31
B478 6266	Guide:Harness:Cover:Left Upper	7 - 36
B478 6267	Guide:Harness:Cover:Left Upper	7 - 35
B478 6311	Cover:Left Lower	7 - 11
B478 6351	Inner Cover:Left Sideways	7 - 13
B478 6450	Table:Ass'y	7 - 5
B478 6612	Inner Cover:Front	7 - 14
B478 6651	Inner Cover:Stapler Unit	11 - 1
B478 6711	Cover:Shift Tray:Front:RIC	7 - 12
B478 6721	Cover:Shift Tray:Inner Back:RIC	7 - 8
B478 7020	x/o MB3	7 - 15
B478 7721	x/o MB3	7 - 17
B478 7721	x/o MB3	51 - 11
B478 7722	Decal:Misfeed Removal:Stapler	51 - 12
B478 7722	Decal:Misfeed Removal:Stapler	7 - 16
B674 4324	Standard Fence Moveable Holder	15 - 31

Part No.	Description	Page and Index No.
B674 4330	Pulley - 32/53T	15 - 32
B674 4334	Pulley - 20T	15 - 33
B674 4335	Standard Fence Belt Tensioner	15 - 34
B674 4338	Standard Fence Tension Spring	15 - 35
B674 4339	Timing Belt - B40S2M192	15 - 36
B674 4510	Stopper Pawl Base Ass'y	9 - 11
B674 4520	Timing Belt - B40S2M178	9 - 9
B674 4521	Timing Belt - B40S2M500	9 - 4
B674 4522	Pawl Stopper Guide Shaft	9 - 19
B674 4523	Shaft - Upper Transport Pawl Pulley	9 - 2
B674 4524	Shaft - Lower Transport Pawl Pulley	9 - 28
B674 4525	Pawl Stopper Sensor Bracket	9 - 6
B674 4526	x/o MB1	9 - 32
B674 4527	Pulley - 48T	9 - 3
B674 4528	Pulley - 15T	9 - 16
B674 4529	Pulley - 20/36T	9 - 8
B674 4530	Gear - 20/30Z	9 - 10
B674 4531	Gear - 30Z	9 - 7
B674 4536	Tension Spring	9 - 14
B674 4613	Pawl Stopper Holder	9 - 24
B674 4614	Pawl Stopper Guide Roller	9 - 33
B674 4615	Shaft - Pawl Stopper	9 - 21
B674 4617	Pawl Stopper Bracket	9 - 23
B674 4618	Pawl Stopper Torsion Spring	9 - 22
B674 4619	x/o MB2	9 - 12
B674 4620	Pawl Stopper Belt Tensioner Ass'y	9 - 15
C101 2360	Snap Ring	25 - 21
C203 5135	Bushing - 10x14x5.9	33 - 14
G012 1531	Magnet	25 - 5

Part No.	Description	Page and Index No.
AA04 3054	Timing Belt - 142 P2M4	33 - 2
AA04 3301	Timing Belt - 402P3M6	41 - 1
AA04 3302	Timing Belt - B60S3M1221	41 - 3
AA04 3303	Timing Belt - 693P3M6	41 - 6
AA04 3304	Timing Belt - 633P3M6	41 - 14
AA04 3305	Timing Belt - 210P3M6	33 - 20
AA06 0092	Release Spring	43 - 6
AA06 3400	Pressure Spring - 5.5x19.5mm	25 - 12
AA06 3400	Pressure Spring - 5.5x19.5mm	23 - 11
AA06 3529	Pressure Spring - 14.5mm	29 - 4
AA06 3529	Pressure Spring - 14.5mm	27 - 14
AA08 0072	Bushing - 6x10x3	17 - 27
AA10 0006	Nut - M3.6	29 - 25
AA12 0090	Discharge Brush L=320 MM3	29 - 9
AA12 0097	Antistatic Brush	25 - 10
AA12 0097	Antistatic Brush	23 - 8
AA12 0099	Antistatic Brush - 320mm	27 - 10
AA13 2011	Slider Guide Roller	37 - 19
AA13 2024	Spacer - M6	35 - 19
AA14 3059	Pin - 6x16	37 - 14
AA16 1099	Lever Cushion	27 - 22
AB03 0278	Idler - 20z	17 - 15
AB03 0278	Idler - 20z	13 - 5
AB03 0374	Timing Pulley - 20Z	41 - 5
AB03 0522	Timing Pulley - T14P3M	43 - 23
AF02 0501	Transport Roller	25 - 22
AF02 0501	Transport Roller	21 - 12
AF02 0501	Transport Roller	29 - 22
AF02 0501	Transport Roller	45 - 13
AF02 0502	Transport Roller	25 - 13
AF02 0502	Transport Roller	27 - 15
AF02 2147	Driven Roller	23 - 7
AF02 2147	Driven Roller	25 - 14
AF02 2147	Driven Roller	27 - 16
AF02 2148	Roller:Driven:L=125	29 - 6

Part No.	Description	Page and Index No.
AG07 0004	Magnetic Catch	45 - 12
AG07 1010	Magnet Catch	33 - 26
AG07 1010	Magnet Catch	47 - 21
AH01 2019	Caster	47 - 17
AJ01 1017	Stapler:EH-1100R2	19 - 12
AW01 0088	Sensor GP2A200LCS - Assembly	31 - 14
AW01 0091	Photo Reflection Sensor	29 - 14
AW01 0093	Photo Reflection Sensor - PS-17ND1	13 - 18
AW01 0093	Photo Reflection Sensor - PS-17ND1	25 - 3
AW01 0093	Photo Reflection Sensor - PS-17ND1	21 - 4
AW01 0093	Photo Reflection Sensor - PS-17ND1	27 - 5
AW02 0049	Photointerruptor - OS - 580213-703	29 - 1
AW02 0049	Photointerruptor - OS - 580213-703	15 - 15
AW02 0086	Photointerruptor	39 - 6
AW02 0086	Photointerruptor	47 - 7
AW02 0086	Photointerruptor	11 - 13
AW02 0086	Photointerruptor	43 - 32
AW02 0086	Photointerruptor	13 - 21
AW02 0086	Photointerruptor	15 - 38
AW02 0086	Photointerruptor	9 - 5
AW02 0086	Photointerruptor	17 - 22
AW02 0086	Photointerruptor	35 - 2
AW02 0114	Photo Interruptor - Lower Limit	33 - 24
AW02 0114	Photo Interruptor - Lower Limit	17 - 22
AX04 0096	Stepping Motor - DC 18W	11 - 7
AX04 0097	DC Motor - DC 5W	35 - 6
AX04 0120	Stepped Motor - DC 9.0W	11 - 11
AX04 0120	Stepped Motor - DC 9.0W	43 - 31
AX05 0074	DC Motor - 24V - 9.9W	37 - 11
AX05 0074	DC Motor - 24V - 9.9W	33 - 4
AX05 0110	Stepping Motor - DC 2.4v 7.2W	15 - 22
AX05 0148	Stepper Motor-DC 18.9W	17 - 13
AX05 0148	Stepper Motor-DC 18.9W	13 - 1
AX05 0149	Stepped Motor - DC 6.9W	17 - 12
AX05 0149	Stepped Motor - DC 6.9W	45 - 8

Part No.	Description	Page and Index No.
AX05 0150	Brushless Motor - DC 7W	43 - 8
AX05 0160	Stepper Motor - DC 20W	39 - 1
AX05 0199	Stepper Motor:MM42:1.2A:3.2V	33 - 23
AX12 0046	DC Solenoid - 24V	17 - 31

Part No.	Description	Page and Index No.
0313 0040N	Philips Pan Head Screw - M3x4	39 -101
0313 0040N	Philips Pan Head Screw - M3x4	25 -104
0313 0040N	Philips Pan Head Screw - M3x4	33 -107
0313 0040N	Philips Pan Head Screw - M3x4	13 -102
0313 0040N	Philips Pan Head Screw - M3x4	43 -102
0313 0040N	Philips Pan Head Screw - M3x4	17 -105
0313 0050N	Philips Pan Head Screw - M3x5	37 -103
0313 0050N	Philips Pan Head Screw - M3x5	33 -101
0313 0060N	Philips Pan Head Screw - M3x6	31 -107
0313 0140N	Philips Pan Head Screw - M3x14	15 -114
0313 0140N	Philips Pan Head Screw - M3x14	21 -102
0313 0140N	Philips Pan Head Screw - M3x14	37 -104
0313 0140N	Philips Pan Head Screw - M3x14	27 -106
0450 3008N	Tapping Screw - M3x8	15 -110
0450 3008N	Tapping Screw - M3x8	13 -104
0450 3008N	Tapping Screw - M3x8	15 -103
0450 3008N	Tapping Screw - M3x8	27 -103
0450 3008N	Tapping Screw - M3x8	25 -101
0451 3006N	Tapping Screw - M3x6	17 -101
0451 3006N	Tapping Screw - M3x6	31 -101
0451 3006N	Tapping Screw - M3x6	33 -105
0451 3006N	Tapping Screw - M3x6	29 -101
0451 3006N	Tapping Screw - M3x6	7 -101
0451 3006N	Tapping Screw - M3x6	27 -101
0451 3006N	Tapping Screw - M3x6	35 -101
0451 3006N	Tapping Screw - M3x6	25 -102
0451 3006N	Tapping Screw - M3x6	23 -103
0451 3006N	Tapping Screw - M3x6	19 -103
0451 3006N	Tapping Screw - M3x6	37 -102
0451 3006N	Tapping Screw - M3x6	21 -101
0451 3006N	Tapping Screw - M3x6	15 -101
0451 3006N	Tapping Screw - M3x6	45 -101
0451 3006N	Tapping Screw - M3x6	39 -102
0451 3006N	Tapping Screw - M3x6	41 -103
0451 3006N	Tapping Screw - M3x6	43 -101

Part No.	Description	Page and Index No.
0451 3006N	Tapping Screw - M3x6	13 -101
0451 3006N	Tapping Screw - M3x6	47 -102
0451 3006N	Tapping Screw - M3x6	11 -102
0451 3008N	Tapping Screw - M3x8	47 -108
0451 3008N	Tapping Screw - M3x8	7 -102
0451 3008N	Tapping Screw - M3x8	7 -106
0451 3008N	Tapping Screw - M3x8	23 -101
0451 3008N	Tapping Screw - M3x8	11 -101
0451 3010N	Tapping Screw - M3x10	15 -104
0451 3010N	Tapping Screw - M3x10	11 -105
0451 3012N	Tapping Screw With Washer - M3x12	29 -107
0451 3014N	Tapping Screw - M3-14	43 -104
0451 4006N	Tapping Screw - 4x6	21 -103
0451 4006N	Tapping Screw - 4x6	37 -101
0451 4006N	Tapping Screw - 4x6	45 -103
0451 4006N	Tapping Screw - 4x6	15 -105
0451 4006N	Tapping Screw - 4x6	31 -103
0451 4006N	Tapping Screw - 4x6	35 -106
0451 4008N	Philips Tapping Screw - M4x8	47 -107
0451 4008N	Tapping Screw - 4x8	7 -105
0451 4008N	Philips Tapping Screw - M4x8	19 -104
0451 4010N	Tapping Screw - 4x10	17 -103
0452 3008N	Tapping Screw - M3x8	7 -107
0452 4008N	Binding Self Tapping Screw-M4x8	31 -104
0452 4008N	Binding Self Tapping Screw-M4x8	7 -103
0452 4008N	Binding Self Tapping Screw-M4x8	23 -102
0453 3006N	Tapping Screw - M3x6	45 -104
0573 0030E	Hexagon Headless Set Screw - M3x3	43 -106
0574 0040E	Hexagon Headless Set Screw - M4x4	33 -104
0574 0050E	Hexagon Headless Set Screw - M4x5	15 -111
0623 0120E	Spring Pin - M3x12	27 -104
0632 0100G	Pin - 2x10mm	9 -103
0633 0100G	Parallel Pin - 3x10	17 -109
0633 0100G	Parallel Pin - 3x10	15 -108
0633 0120G	Parallel Pin - 3x12	35 -105

Part No.	Description	Page and Index No.
0634 0200G	Parallel Pin - 4x20	33 -106
0720 0040E	Retaining Ring - M4	25 -103
0720 0040E	Retaining Ring - M4	17 -104
0720 0040E	Retaining Ring - M4	11 -103
0720 0040E	Retaining Ring - M4	31 -102
0720 0040E	Retaining Ring - M4	29 -102
0720 0040E	Retaining Ring - M4	35 -102
0720 0040E	Retaining Ring - M4	27 -102
0720 0040E	Retaining Ring - M4	47 -104
0720 0040E	Retaining Ring - M4	45 -107
0720 0040E	Retaining Ring - M4	19 -101
0720 0040E	Retaining Ring - M4	13 -106
0720 0040E	Retaining Ring - M4	37 -106
0720 0040E	Retaining Ring - M4	15 -102
0720 0040E	Retaining Ring - M4	21 -106
0720 0040E	Retaining Ring - M4	41 -102
0720 0040E	Retaining Ring - M4	39 -104
0720 0060E	Retaining Ring - M6	19 -102
0720 0060E	Retaining Ring - M6	39 -105
0720 0060E	Retaining Ring - M6	41 -101
0720 0060E	Retaining Ring - M6	35 -104
0720 0060E	Retaining Ring - M6	37 -107
0720 0060E	Retaining Ring - M6	17 -102
0720 0060E	Retaining Ring - M6	33 -102
0720 0060E	Retaining Ring - M6	13 -105
0720 0080E	Retaining Ring - M8	47 -101
0740 3506	Ball Bearing - 6x12x4 mm	17 -107
0741 3506	Ball Bearing - 6x12x4 mm	33 -109
0741 3506	Ball Bearing - 6x12x4 mm	15 -112
0741 3506	Ball Bearing - 6x12x4 mm	17 -111
0802 5276	Tapping Screw With Washer - M3x6	9 -102
0805 0089	Retaining Ring - M4	15 -113
0805 0089	Retaining Ring - M4	45 -106
0805 0089	Retaining Ring - M4	31 -108
0805 0089	Retaining Ring - M4	43 -107

Part No.	Description	Page and Index No.
0805 0089	Retaining Ring - M4	23 -104
0805 0089	Retaining Ring - M4	39 -106
0805 0089	Retaining Ring - M4	21 -105
0805 0089	Retaining Ring - M4	9 -101
0805 3368	Ball Bearing - 8x16x5mm	19 -106
0807 5056	Washer - 8.1mm	33 -103
0951 3008N	Philips Screw With Flat Washer-M3x8	13 -107
0951 4014N	Philips Screw With Washer - M4x14	7 -104
1005 0946	Stepping Motor Cushion	15 -109
1102 8534	Connector - QR/P17-14S-B	29 -106
1105 0008	Nylon Clamp - 2n	17 -112
1105 0010	Nylon Clamp - 6n	17 -113
1105 0012	Nylon Clamp - 10N	17 -120
1105 0016	Nylon Clamp - 4n	17 -114
1105 0199	Clamp	27 -105
1105 0199	Clamp	29 -103
1105 0199	Clamp	43 -103
1105 0199	Clamp	45 -102
1105 0199	Clamp	15 -106
1105 0199	Clamp	21 -104
1105 0199	Clamp	13 -108
1105 0199	Clamp	37 -105
1105 0199	Clamp	41 -104
1105 0199	Clamp	47 -103
1105 0199	Clamp	17 -110
1105 0199	Clamp	31 -106
1105 0229	Clamp	13 -103
1105 0229	Clamp	17 -116
1105 0229	Clamp	19 -105
1105 0243	Wire Saddle	19 -107
1105 0310	Harness Clamp - LWS-1S	37 -109
1105 0310	Harness Clamp - LWS-1S	43 -105
1105 0310	Harness Clamp - LWS-1S	33 -108
1105 0310	Harness Clamp - LWS-1S	17 -108
1105 0310	Harness Clamp - LWS-1S	29 -104

Part No.	Description	Page and Index No.
1105 0310	Harness Clamp - LWS-1S	11 -106
1105 0310	Harness Clamp - LWS-1S	47 -105
1105 0310	Harness Clamp - LWS-1S	41 -106
1105 0328	Harness Clamp - ES-0505	45 -108
1105 0328	Harness Clamp - ES-0505	47 -106
1105 0328	Harness Clamp - ES-0505	35 -103
1105 0328	Harness Clamp - ES-0505	39 -109
1105 0328	Harness Clamp - ES-0505	31 -105
1105 0328	Harness Clamp - ES-0505	17 -106
1105 0488	Harness Clamp	33 -110
1105 0488	Harness Clamp	39 -108
1105 0488	Harness Clamp	43 -108
1105 0508	Harness Clamp - LWS-0711	17 -119
1105 0511	Harness Clamp - LWS-0306ZC	19 -108
1105 0511	Harness Clamp - LWS-0306ZC	17 -117
1105 0511	Harness Clamp - LWS-0306ZC	29 -108
1105 0511	Harness Clamp - LWS-0306ZC	31 -109
1105 0511	Harness Clamp - LWS-0306ZC	47 -109
1105 0511	Harness Clamp - LWS-0306ZC	15 -107
1105 0511	Harness Clamp - LWS-0306ZC	9 -106
1105 0511	Harness Clamp - LWS-0306ZC	39 -107
1105 0516	Clamp	9 -105
1105 0516	Clamp	17 -118
1105 0516	Clamp	41 -107
1105 0518	Edge Saddle - LES-1010	17 -115
1105 0522	Edge Saddle - LES0510	9 -104
1106 0411	Bushing - 11.5mm	29 -109
1106 0411	Bushing - 11.5mm	29 -105
1106 0411	Bushing - 11.5mm	41 -105
1204 2384	Interlock Switch	45 -105
1204 2544	Switch - DE2L-BJ23	39 -103
1607 0623	Ferrite Core - TFC-16-8-13	37 -111

Part No.	Description	Page and Index No.
5053 0447	Bushing - 6mm	9 - 29
5053 0447	Bushing - 6mm	39 - 33
5053 0447	Bushing - 6mm	37 - 5
5201 2722	Bushing - M6x5	13 - 11
5215 2621	Snap Ring - M6	47 - 3
5216 1859	Stepped Screw - Slider Lock	7 - 28
5442 4121	Spring - Oil Blade	13 - 7
5442 4121	Spring - Oil Blade	41 - 10
5442 4121	Spring - Oil Blade	43 - 24
5447 2681	Snap Ring	27 - 26
5919 2127	Positioning Roller Pulley	27 - 27
5919 2132	Positioning Roller Belt	27 - 28